

# [Standard] Horizontal Surface Z-Axis, Feed Screw / Linear Ball Slide

Points on Similar Product Comparison | Parallelism: 100μm

P.1972

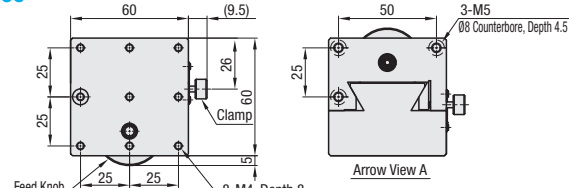
Features: Horizontal Surface Z-Axis Type with feed screw. This is superior to Rack & Pinion Type in load capacity. Space-saving is achieved by limiting the position of clamp/scale to the right side face.

## Horizontal Surface Z-Axis, Feed Screw

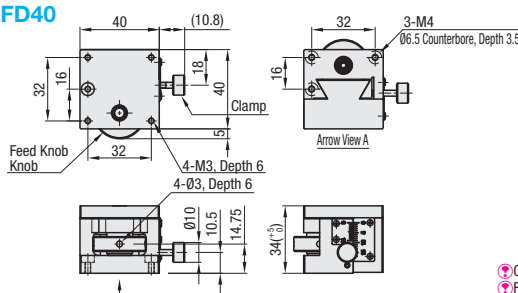


RoHS

### ZLFD60



### ZLFD40



- Clamp and scale are provided on the right side face in the front.
  - Fix the bottom plate at 3 points.
  - Counterclockwise rotation of the knob elevates the stage surface.
- Material: Aluminum Alloy  
Surface Treatment: Black Anodize

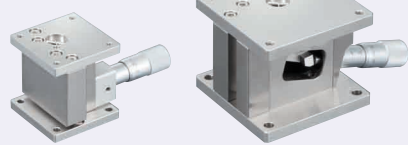
Z-Axis Stages High Precision Stage Existing Product: ZLFG (P.1972), ZLPG (P.1973)

Part Number	Stage Surface (mm)	Travel Distance (mm)	Travel per Rotation (mm)	Parallelism (μm)	Load Capacity (N)	Weight (kg)	Unit Price
ZLFD							
40	40x40	+5	0.5	100	29.4	0.15	
60	60x60	+7	0.5	100	98.1	0.37	

Ordering Example Part Number ZLFD40

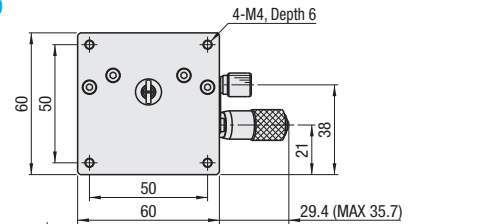
Features: Z-Axis Stages with the stage top rising/lowering horizontally. Best suited for setup changes and simple focus adjustments.

## Horizontal Z-Axis, Linear Ball Slide

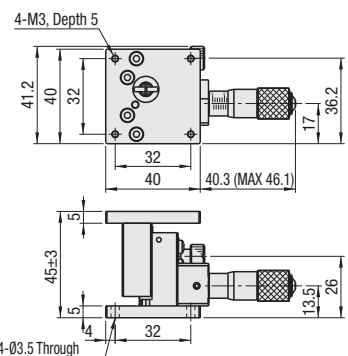


RoHS

### ZLLB60



### ZLLB40



- Material: Steel
- Surface Treatment: Electroless Nickel Plating

Z-Axis Stages High Precision Stage Existing Product: ZLPGS (P.1972), ZLPG (P.1973)

Part Number	Stage Surface (mm)	Travel Distance (mm)	Load Capacity (N)	Resolution (μm/division)	Parallelism (μm)	Weight (kg)	Unit Price
ZLLB							
40	40x40	±3.0	29.4	= 5	80	0.3	
60	60x60	±5.0	49.0	= 10		0.7	

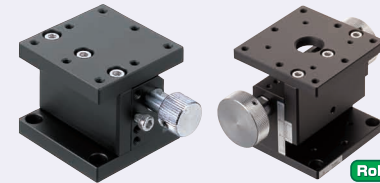
Though having a repeatability, the lift may misalign with the scale graduation depending on the stroke, due to the principle of leverage used for the structure. Use the micrometer head scale for reference only.

Ordering Example Part Number ZLLB40

# [High Precision] Dovetail Slide, Rack & Pinion / Cross Roller

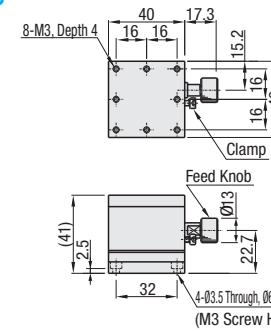
Features: Rack & Pinion Stages with horizontal surface moving vertically.

## Horizontal Surface Z-Axis Stages, Rack & Pinion

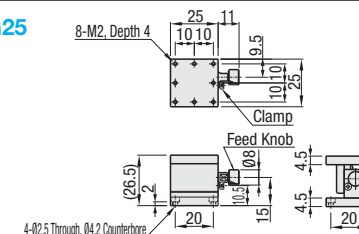


RoHS

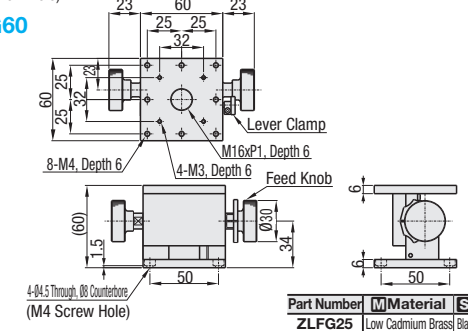
### ZLFG40



### ZLFG25



### ZLFG60



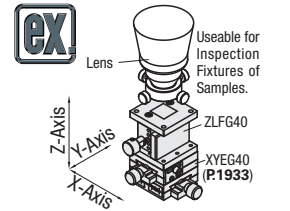
Part Number	Material	Surface Treatment
ZLFG25	Low Cadmium Brass	Black Fluororesin Treatment
ZLFG40	Aluminum Alloy	Black Anodize
ZLFG60	Aluminum Alloy	Black Anodize

Vernier scale will be on the opposite side of clamp mounting side.

Part Number	Stage Surface (mm)	Travel Distance (mm)	Travel per Rotation (mm)	Load Capacity (N)	Travel Accuracy Straightness (μm)	Moment Load Capacity (N-m)	Weight (kg)	Accessory (4 pcs.) Type M-L	Unit Price
ZLFG									
25	25x25	±2.5	≈ 8	6.9	30μm	0.6 1.0 1.5	0.08	SCB2-8	
40	40x40	±5	≈ 13	9.8		0.6 1.0 1.5	0.12	SCB3-6	
60	60x60	±10	≈ 17	14.7		4.0 4.0 2.5	0.47	SCB4-6	

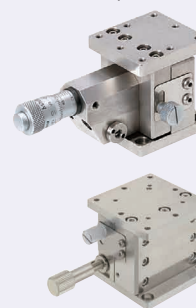
Resolution (Vernier Scale Indication): 0.1mm/division

Ordering Example Part Number ZLFG60



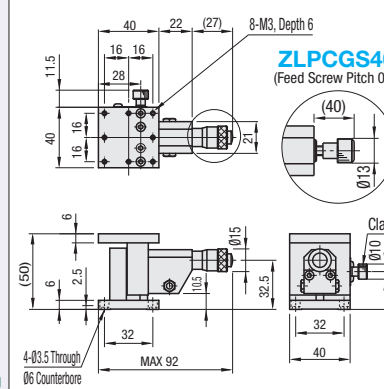
Features: Suitable for highly accurate fine adjustment of horizontal surface of Z-axis. ZLPGS has higher load capacity compared to the same size ZLPG (P.1973).

## Horizontal Surface Z-Axis, Cross Roller (Stainless Steel)

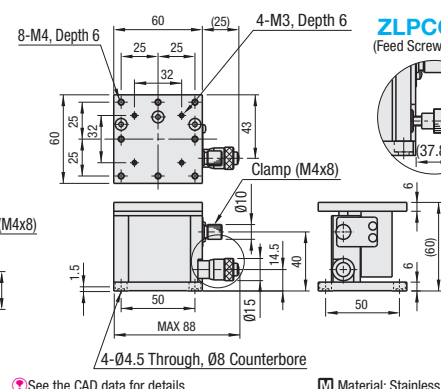


RoHS

### ZLPGS40 (Micrometer Head Lead 0.5)



### ZLPGS60 (Micrometer Head Lead 0.5)



Material: Stainless Steel

Standard Stages Similar Products (available for limited sizes only): ZLLB (P.1971)

Part Number	Stage Surface (mm)	Travel Distance (mm)	Load Capacity (N)	Travel Accuracy Straightness (μm)	Moment Load Capacity (N-m)	Moment Rigidity ("/N-cm)	Parallelism (μm)	Weight (kg)	Accessory (4 pcs.) Type M-L	Unit Price
ZLPGS										
40	40x40	±3	29.4	3μm	1.8 1.1 1.2	0.81 0.22 0.30	100	0.49	SCB3-6	
60	60x60	±3	58.8		3.3 2.4 3.1	0.42 0.18 0.12		0.99	SCB4-6	
ZLPCGS										
40	40x40	±3	29.4	3μm	1.8 1.1 1.2	0.81 0.22 0.30	100	0.47	SCB3-6	
60	60x60	±3	29.4		3.3 2.4 3.1	0.42 0.18 0.12		0.97	SCB4-6	

Micrometer Head Resolution: 10μm/division

Knob Cover HD0VR15 (Sold Separately): Ø15 micrometer head knobs can be increased in diameter by installing the cover. P.2004

Though having a repeatability, the lift may misalign with the scale graduation depending on the stroke, due to the principle of leverage used for the structure. Use the micrometer head scale for reference only.

Ordering Example Part Number ZLPGS40