


# [High Precision] XY-Axis Cross Roller / Cross Roller with Dowel Holes Micrometer Head / Feed Screw

# [Standard] XY-Axis Cross Roller Low Profile

P.1945

■ **Features:** High mounting repeatability is obtained with the dowel holes of XYPGN.

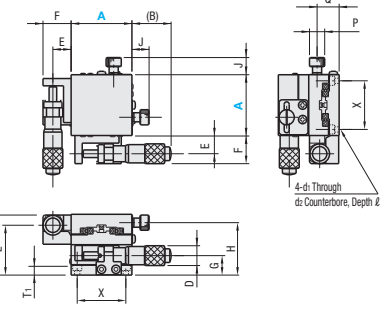
■ **XY-Axis**



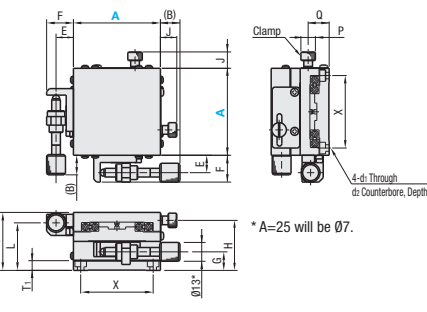
X-Axis: **P.1918**  
Z-Axis: **P.1968**

RoHS10

■ **Micrometer Head**  
XYPG (25≤A≤120)  
XYPGN (A=40, 60) (with Dowel Holes)



■ **Feed Screw (Pitch 0.5)**  
XYPCG (25≤A≤80)



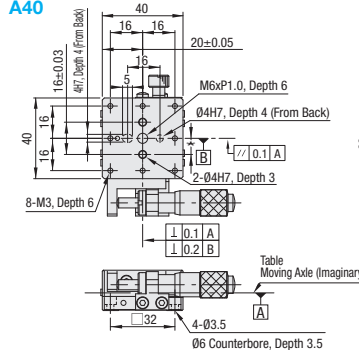
\*A=25 will be 07.

For mounting hole dimensions of the Cross Roller Stage top table, see **P.1918**.

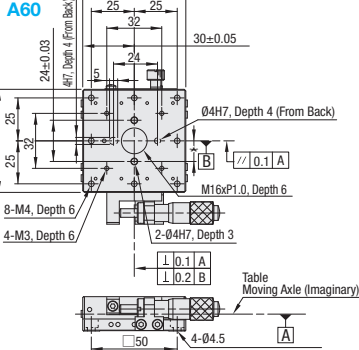
● **Mounting Hole Dimensions on the Top/Bottom of the Table of XY-Axis Stages with Dowel Holes**

- ⊕ H7 hole and H7 long hole on bottom surface, and 2 H7 holes on upper surface.
- ⊕ Theoretical dimension tolerance of dowel holes on top and bottom surfaces is ±0.165.

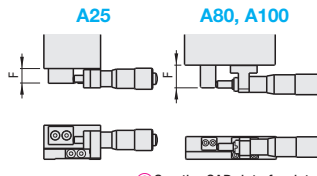
**A40**




**A60**



**A25**



**A80, A100**



⊕ See the CAD data for details.

Material: Aluminum Alloy  
Surface Treatment: Black Anodize

⊕ Standard Stages Similar Products: XYCRS (**P.1942**)

■ **Micrometer Head (XYPG, XYPGN), Feed Screw (XYPCG)**

Part Number	Type	A	Top View		Front View													Side View		
			Standard Micrometer (B) Travel Distance (mm)	Feed Screw (B) Travel Distance (mm)	E	F	J	D	G	H	T <sub>1</sub>	L	T	P	Q	X	d <sub>1</sub>	d <sub>2</sub>	ℓ	
XYPG	25	25	±3.2	11	±3.2	4.5	6.5	6.8	9.3	8.5	25.9	4.5	23.5	30	6	10.5	20	2.5	4.2	2
XYPCG	40	25.8	±6.5	25.8	±6.5	12	18.5	11.3	13	12.8	34.5	6.5	32.8	40	10	14.5	32	3.5	6	3.5
	60	19.8	-	19.8	-	12	18.5	11.3	13	12.8	34.5	6.5	32.8	40	10	14.5	50	4.5	8	4
XYPGN	80	43.5	±12.5	10	-	17	22*	11.3	18	11	34.5	5.7	31	40	10	14.5	70	4.5	8	4.5
(Dowel Hole Type for 40 and 60 only)	*100	28.5	-	-	-	17	22	11.3	18	11	34.5	5.7	31	40	10	14.5	90	4.5	8	4.5
	*120	67.5	±25	-	-	13	20	11.5	21	18	48.0	9.5	48	60	10	18	100	4.5	8	4.5

\* A100 and 120 are not available for Feed Screw Type (XYPCG). \* When A=80 for the Feed Screw Type (XYPCG), F=20.

● **Performance**

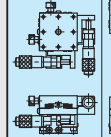
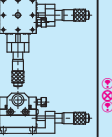
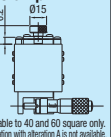
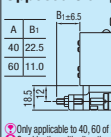

A	Stage Surface (mm)	Load Capacity (N)	Travel Accuracy				Moment Load Capacity (N·m)				Moment Rigidity (1/N·cm)				Parallelism	Weight (kg)	Accessory (4 pcs.)	Unit Price		
			Straightness	Parallelism	Pitching	Yawing	Pitching	Yawing	Rolling	Pitching	Yawing	Rolling	XYPG	XYPCG				XYPGN		
25	25x25	9.8	3μm	20μm	25"	15"	0.4	0.8	0.4	4.83	5.70	4.83	60μm	0.08	SCB2-6	-	-	-		
40	40x40	17.6					2.0	2.2	2.0	0.66	0.84	0.66				0.3	SCB3-6	-	-	-
60	60x60	44.1					5.2	4.3	5.2	0.19	0.22	0.19				0.52	SCB4-6	-	-	-
80	80x80	93.1					17.3	15.1	17.3	0.09	0.10	0.09				1.00	SCB4-6	-	-	-
100	100x100	140.1					33.0	30.0	33.0	0.11	0.14	0.11				1.40	SCB4-6	-	-	-
120	120x120	180.3					57.2	44.7	57.2	0.04	0.04	0.04				3.20	SCB4-10	-	-	-

⊕ XYPG and XYPGN: Micrometer Head Resolution: 10μm/division

Ordering Example: Part Number **XYPG80**

Alterations: Part Number (CR, A--etc) **XYPG80-A**

⊕ Express service is not available.

Alterations	Position of Micrometer Head and Feed Screw	Reinforced Clamp	No Micrometer Head
Spec.	<p>Side Mount - Right / Left Reversed</p>  <p>Center</p> 	<p>Disc Clamp</p>  <p>Opposed Clamp</p> 	
Code	CR A	H P	MN

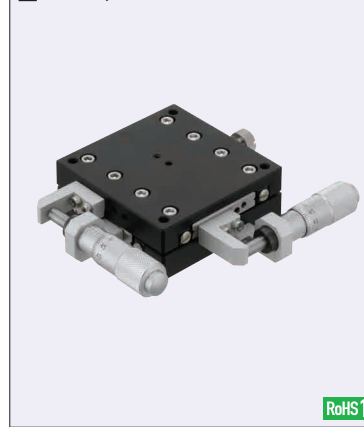
⊕ Mounting dimensions of micrometer head, feed screw and clamp are different from those of standard products. See the CAD data for details.

- ⊕ For micrometer head or feed screw mounted in positions other than shown below, see "Specification Selectable Type" (**P.1989**).
- ⊕ Knob Cover HDCV113 (Sold Separately): 013 micrometer knob diameter can be increased by installing the cover. **P.2004**
- ⊕ Extension Cover HDEX113 (Sold Separately): Feed knob of 013 micrometer head and feed screw can be extended. **P.2004**

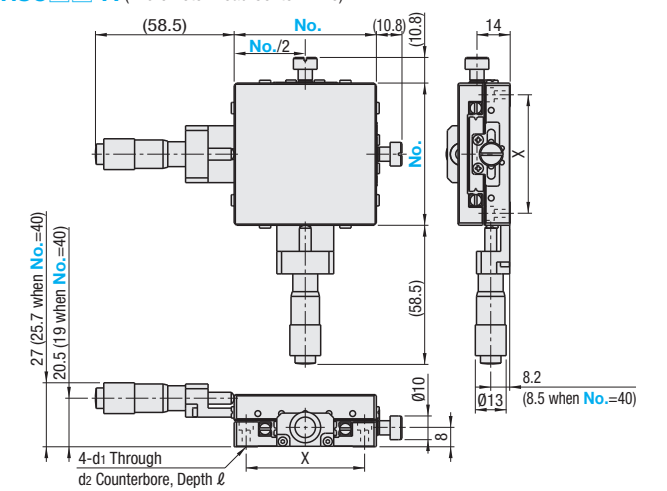
Points on Similar Product Comparison | Travel Accuracy (Straightness) 30μm

■ **Features:** Economical stages with a micrometer head capable of 0.01mm resolution adjustments. Micrometer head position is selectable from 3 types.

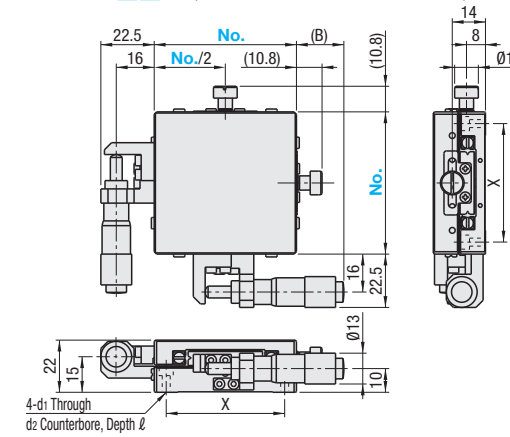
■ **XY-Axis, Low Profile**



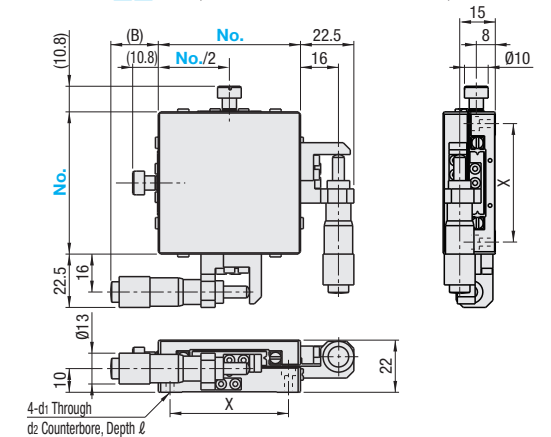
XYCRSC□□-A (Micrometer Head Center Drive)



XYCRSC□□-C (Micrometer Head Side Drive - Standard)



XYCRSC□□-CR (Micrometer Head Side Drive - Reversed)

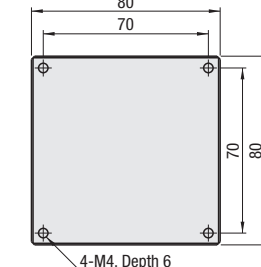
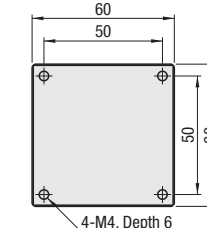
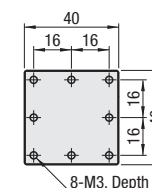


● Mounting Hole Dimensions of the Top Table

No.40

No.60

No.80



⊕ See the CAD data for details.

■ **XY-Axis Stages** ⊕ High Precision Stage Existing Product: XYSPG (**P.1945**)

Type	Part Number		Stage Surface (mm)	Travel Distance (mm)	Top View (B)		Side View			Load Capacity (N)	Travel Accuracy Straightness	Weight (kg)	Unit Price
	No.	Micrometer Head Position			X	d <sub>1</sub>	d <sub>2</sub>	ℓ					
XYCRSC	40	A (Center)	40x40	±6.5	36	32	3.4	6	3.5	9.8	30μm	0.2	
	60	C (Standard)	60x60		20	50	4.5	8	4.5	29.4			0.4
	80	CR (Right/Left Reversed)	80x80		11	70	4.5	8	4.5	39.2			0.7

Ordering Example: Part Number **XYCRSC60-A**  
**XYCRSC80-C**