

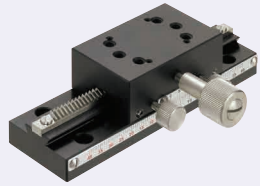
[Standard] X-Axis Dovetail Slide, Rack & Pinion Long

Points on Similar Product Comparison | Travel Accuracy Straightness 50~60μm

P.1908, 1956

Features: Economically priced long stroke Rack & Pinion stages.

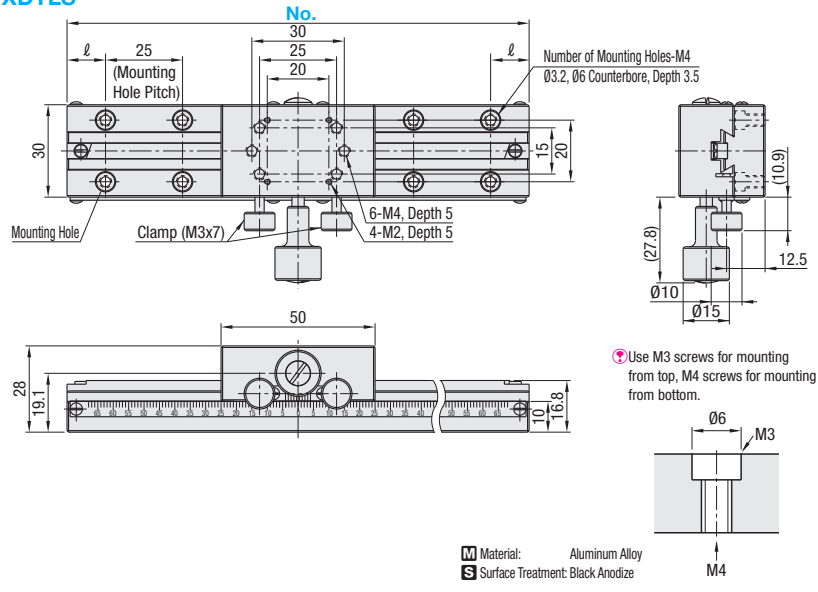
X-Axis, Long



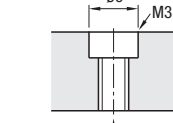
Z-Axis P.1955

RoHS10

XDTLS



Use M3 screws for mounting from top, M4 screws for mounting from bottom.



Material: Aluminum Alloy
Surface Treatment: Black Anodize

X-Axis Stages High Precision Stage Existing Product: XLWG (P.1908)

Part Number Type	No.	Stage Surface (mm)	Travel Distance (mm)	Travel per Rotation (mm)	Number of Mounting Holes (Qty)	ℓ	Load Capacity (N)		Travel Accuracy Straightness	Weight (kg)	Unit Price
							Horizontal	Vertical			
XDTLS	80	30x50	±30	16.7	6	15	29.4	14.7	50μm	0.15	
	100		±40		8	12.5					
	150		±65		12						
	200		±90		16						

Resolution (Vernier Scale Indication): 0.1mm/division

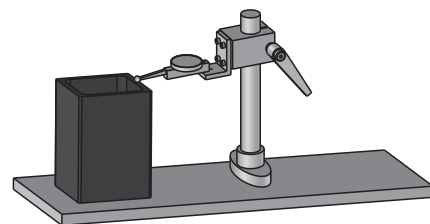
For orders larger than indicated quantity, please request a quotation.

Knob Cover HDCVR15 (Sold Separately): Ø15 knobs can be increased in diameter by installing the cover. P.2004

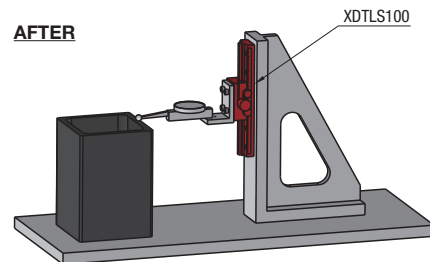
Ordering Example Part Number XDTLS100

Example Parallelism Inspection Unit

BEFORE



AFTER



Increased Adjustment Accuracy: Fine adjustment of the dial indicator tip can be achieved quantitatively, not with experience.
Improved Safety: Installing a dial indicator onto the stage prevents from falling.

[High Precision] X-Axis Dovetail Slide, Rack & Pinion Long

Features: Long stroke stages made of lightweight aluminum alloy. Select a size based on strokes needed. For stages with ±140mm stroke, see XLONG on P.1909.

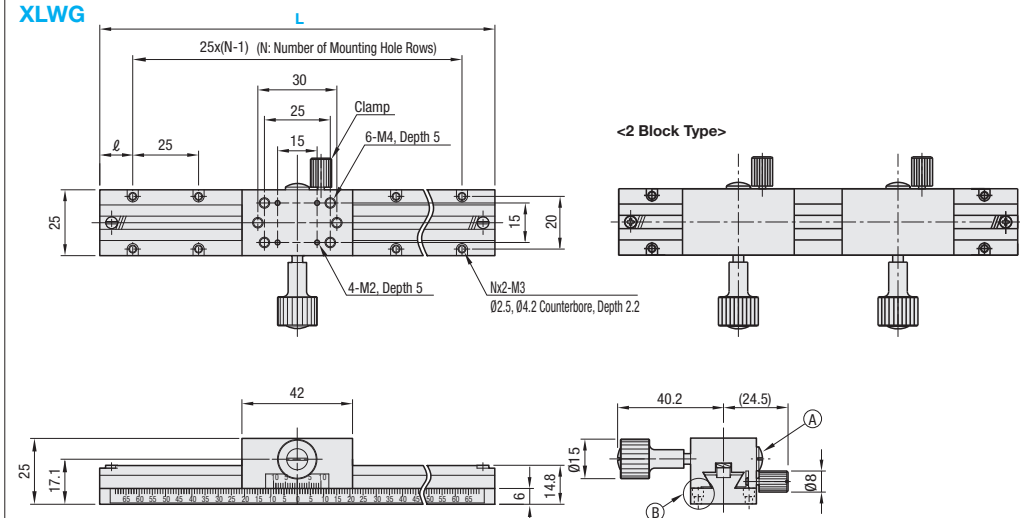
X-Axis, Long



Z-Axis P.1956

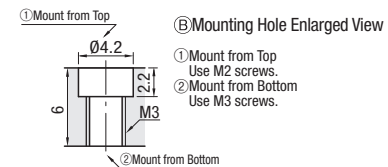
Use Adjustable Plates for XY-Axis Stages (XYPLT) to combine the Long Stroke Stages together. P.1915

XLWG



The scale in the above figure is for L150, and not for L50, L70, L100 or L200.

By turning the preload adjustment screw (A) clockwise with a flathead screwdriver, the stage slides slowly, and by turning counterclockwise the stage slides quickly and smoothly.



Material: Aluminum Alloy
Surface Treatment: Black Anodize

Standard Stages Similar Products (available for limited sizes only): XDTLS (P.1907)

Part Number Type	No.	L	Number of Blocks	Travel Distance (mm)	Travel per Rotation (mm)	N: Number of Mounting Hole Rows	Number of Mounting Holes (M4)	ℓ (mm)	Load Capacity (N)		Travel Accuracy (μm)		Weight (kg)	Unit Price
									Horizontal	Vertical	Straightness	Parallelism		
XLWG	50	50	1	±15	18	2	4	12.5	29.4	14.7	30	30	0.10	
	70	70	1	±25		3	6	10.0						
	100	100	1	±40		4	8							
	150	150	1	±65		6	12	12.5						
	200		1											
	200-2		2											
200-2	200	2	±90	8	16		50	50	0.21	0.28				

Resolution (Vernier Scale Indication): 0.1mm/division

XLWG150-2 and 200-2 have two blocks. Please note that the stroke distances will be shorter than the one block versions.

Knob Cover HDCVR15 (Sold Separately): Ø15 knobs can be increased in diameter by installing the cover. P.2004

Adjustable Plate XPLT40: Use this plate when connecting stages with non-matching mounting holes. P.1915

For orders larger than indicated quantity, please request a quotation.

Ordering Example Part Number XLWG100