

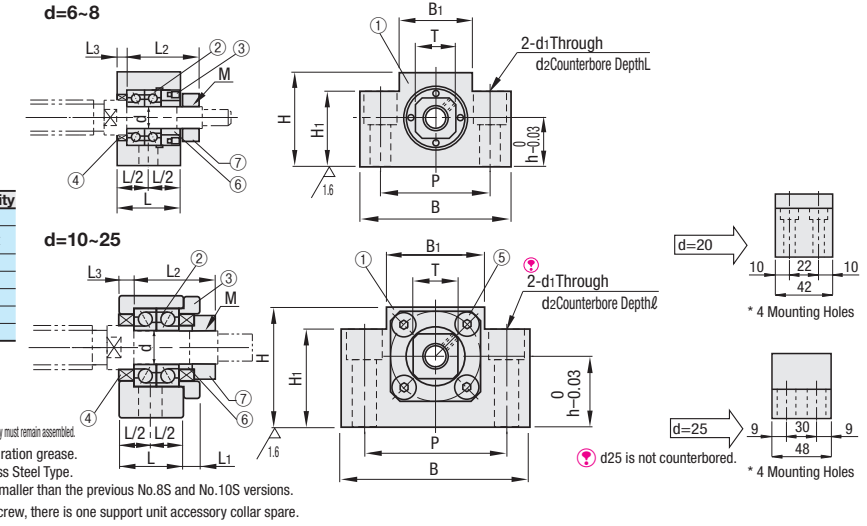
Support Units - Fixed Side, Square Standard

Support Units - Support Side, Square <Standard> Standard

Points of comparison between similar products | Consider using these parts when the usage environment is high-load application and high operation frequency.



Type	Material	Surface Treatment
Fixed Side only	① ③	① ③ ⑥ ⑦
Fixed Side and Support Side SET	① ③ ⑥ ⑦	① ③ ⑥ ⑦
BSW	BSW-SET	Black Oxide
BSWN	BSWN-SET	Electroless Nickel Plating
BSWR	BSWR-SET	LTBC Plating



Component Details

Number	Part Name	Quantity
①	Bearing Housing	1
②	Japanese standard angular contact bearing Grade 5	1 Set
③	Cover	1
④	Oil Seal	2
⑤	Hex Socket Head Cap Screw*	4
⑥	Collar	2
⑦	Bearing Nut (with Set Piece)	1

Part Number	Type	No.	d	L	L1	L2	L3	B	H	h	B1	H1	P	d1	d2	ℓ	M (Fine)	T	Oil Seal Applicable Shaft Dia.		
6	BSW BSWN BSWR	6	6	20	-	22.5	3.5	42	25	13	18	20	30	5.5	9.5	11	M6x0.75	12	-		
8S		8	8	23	-	26	4	52	32	17	25	26	38	6.6	11	11	M8x1.0	14	10		
8		8	8	8	8	8	8	8	8	8	8	8	8	8	8	8	8	8	8	11.5	
1022		10	10	10	10	10	10	10	10	10	10	10	10	10	10	10	10	10	10	14	
10S		10	10	10	10	10	10	10	10	10	10	10	10	10	10	10	10	10	10	12	
10		10	10	10	10	10	10	10	10	10	10	10	10	10	10	10	10	10	10	10	14
1223		12	12	12	12	12	12	12	12	12	12	12	12	12	12	12	12	12	12	15	
12		12	12	12	12	12	12	12	12	12	12	12	12	12	12	12	12	12	12	15	
1526		15	15	15	15	15	15	15	15	15	15	15	15	15	15	15	15	15	15	20	
1528		15	15	15	15	15	15	15	15	15	15	15	15	15	15	15	15	15	15	20	
15	15	15	15	15	15	15	15	15	15	15	15	15	15	15	15	15	15	15	20		
20	20	20	20	20	20	20	20	20	20	20	20	20	20	20	20	20	20	20	25		
25	25	25	25	25	25	25	25	25	25	25	25	25	25	25	25	25	25	25	31		

*Take care in combining No.20 with Ball Screw BSSZ(K)2510, BSSR(K)2510 or BSST2510. The ball screw nut may come in contact with the bottom surfaces.

Ordering Example

Part Number	Type
BSW15	(Fixed-side single type)
BSW15-SET	(SET part type)

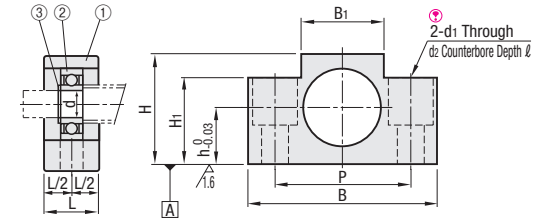
Part Number	BSW	BSW-SET	BSWN	BSWN-SET	BSWR	BSWR-SET
Type	Unit Price	Unit Price	Unit Price	Unit Price	Unit Price	Unit Price
	1 ~ 10 pc(s).	1 ~ 10 pc(s).	1 ~ 10 pc(s).	1 ~ 10 pc(s).	1 ~ 10 pc(s).	1 ~ 10 pc(s).
6						
8S						
8						
1022						
10S						
10						
1223						
12						
1526						
1528						
15						
20						
25						

* For details of Bearings in addition to mounting interface accuracies of Support Units, Included Collar and Bearing Nut, see P.759
 * Ball Screw Compatibility Chart P.756
 * Store Accessories with care since they are required when assembling.



Type	Material	Surface Treatment
Standard	EN 1.1191 Equiv.	Black Oxide
BUN		Electroless Nickel Plating
BUNM		LTBC Plating
BUNR		

*No.1022 ~ 25 are not counterbored.



Component Details

Number	Part Name	Quantity
①	Housing	1
②	Japanese made radial bearing	1
③	Retaining Ring (STWN, S)	1

* BUNR bearing is Stainless Steel Type filled with low dust generation grease.
 * Retaining rings ③ of BUNR and BUNM are Stainless Steel Type.

Part Number	Type	No.	d	L	B	H	h	B1	H1	P	V	d1	d2	ℓ	Bearing Type	Retaining Ring	BUN Unit Price	BUNM Unit Price	BUNR Unit Price	
6	BUN BUNM BUNR	6	6	12	42	25	13	18	20	30	17	5.5	9.5	11	B606ZZ	STWN, S6				
8		8	8	15	52	32	17	25	26	38	22	6.6	11	11	B608ZZ	STWN, S8				
10		10	10	10	10	10	10	10	10	10	10	10	10	10	10	10	10			
1223		12	12	12	12	12	12	12	12	12	12	12	12	12	12	12	12			
12		12	12	12	12	12	12	12	12	12	12	12	12	12	12	12	12			
1526		15	15	15	15	15	15	15	15	15	15	15	15	15	15	15	15			
1528		15	15	15	15	15	15	15	15	15	15	15	15	15	15	15	15			
15		15	15	15	15	15	15	15	15	15	15	15	15	15	15	15	15			
20		20	20	20	20	20	20	20	20	20	20	20	20	20	20	20	20			
25		25	25	25	25	25	25	25	25	25	25	25	25	25	25	25	25			

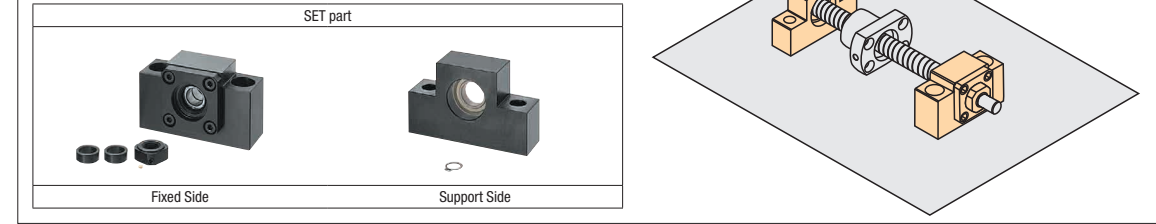
* Take care in combining No.20 with Ball Screw BSSZ(K)2510, BSSR(K)2510 or BSST2510. The ball screw nut may come in contact with the bottom surfaces.

Ordering Example

Part Number	Type
BUN15	(Support side, separate item)

SET part overview

For customers using in conjunction with fixed side and support side We recommend a SET, which allows the fixed side and support side to be ordered as one set. 5% price reduction when ordering in SETs



<SET parts>

Black Oxide			Electroless Nickel Plating			LTBC Plating		
SET Part Number	Fixed Side Part Number	Support Side Part Number	SET Part Number	Fixed Side Part Number	Support Side Part Number	SET Part Number	Fixed Side Part Number	Support Side Part Number
BSW6-SET	BSW6	BUN6	BSWN6-SET	BSWN6	BUNM6	BSWR6-SET	BSWR6	BUNR6
BSW8S-SET	BSW8S	BUN8	BSWN8S-SET	BSWN8S	BUNM8	BSWR8S-SET	BSWR8S	BUNR8
BSW8-SET	BSW8	BUN8	BSWN8-SET	BSWN8	BUNM8	BSWR8-SET	BSWR8	BUNR8
BSW1022-SET	BSW1022	BUN1022	BSWN1022-SET	BSWN1022	BUNM1022	BSWR1022-SET	BSWR1022	BUNR1022
BSW10S-SET	BSW10S	BUN10	BSWN10S-SET	BSWN10S	BUNM10	BSWR10S-SET	BSWR10S	BUNR10
BSW10-SET	BSW10	BUN10	BSWN10-SET	BSWN10	BUNM10	BSWR10-SET	BSWR10	BUNR10
BSW1223-SET	BSW1223	BUN1223	BSWN1223-SET	BSWN1223	BUNM1223	BSWR1223-SET	BSWR1223	BUNR1223
BSW12-SET	BSW12	BUN12	BSWN12-SET	BSWN12	BUNM12	BSWR12-SET	BSWR12	BUNR12
BSW1526-SET	BSW1526	BUN1526	BSWN1526-SET	BSWN1526	BUNM1526	BSWR1526-SET	BSWR1526	BUNR1526
BSW1528-SET	BSW1528	BUN1528	BSWN1528-SET	BSWN1528	BUNM1528	BSWR1528-SET	BSWR1528	BUNR1528
BSW15-SET	BSW15	BUN15	BSWN15-SET	BSWN15	BUNM15	BSWR15-SET	BSWR15	BUNR15
BSW20-SET	BSW20	BUN20	BSWN20-SET	BSWN20	BUNM20	BSWR20-SET	BSWR20	BUNR20
BSW25-SET	BSW25	BUN25	BSWN25-SET	BSWN25	BUNM25	BSWR25-SET	BSWR25	BUNR25