


Hex Socket Flat Head Cap Screws / Hex Socket Button Head Cap Screws

Available in Steel/Single item-Flanged

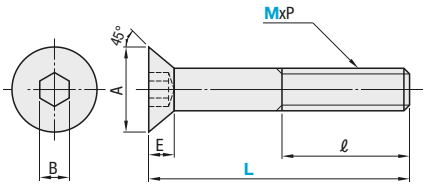
Hex Screws

Hex Socket Flat Head Cap Screws



RoHS

Type	Material	Hardness	Surface Treatment	Strength Class
FB	EN 1.7220 Equiv.	32-39HRC	Black Oxide	10.9 Equiv.




MxP (Coarse)	A	E	B
4x0.7	8	2.3	2.5
5x0.8	10	2.8	3.0
6x1.0	12	3.3	4.0
8x1.25	16	4.4	5.0
10x1.5	20	5.5	6.0

FB (Black Oxide)

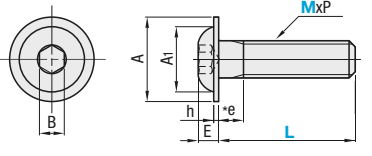
Part Number	ℓ	Unit Price	Volume Discount Rate
Type M-L		1 ~ 499 pcs.	500 ~ 1000 pcs.
FB	4-10	Studs - Fully Threaded	14
	15		
	20		
	25		
	30		
	35		
	5-10	Studs - Fully Threaded	16
	12		
	15		
	20		
	25		
	30		
35			
40			
6-10	Studs - Fully Threaded	18	
12			
15			
16			
20			
25			
30			
35			
40			
45			
8-15	Studs - Fully Threaded	22	
20			
25			
30			
35			
40			
45			
50			
10-20	Studs - Fully Threaded		

Hex Socket Button Head Cap Screws - Flanged



RoHS

Type	Material	Hardness	Surface Treatment	Strength Class
BCBFB	EN 1.7220 Equiv.	32-39HRC	Black Oxide	10.9 Equiv.
BCBFS	EN 1.4301 Equiv.	-	-	A2-50 Equiv.




* e (Incomplete Threaded Portion) = Max. 2 Pitch

MxP (Coarse)	A	A1	E	h (Min.)	B
3x0.5	7	5.2	1.65	0.6	2
4x0.7	9.2	6.8	2.2	0.7	2.5
5x0.8	11.4	8.5	2.75	0.9	3
6x1.0	13.6	10.1	3.3	1	4

Part Number		BCBFB		BCBFS		
Type	M-L	Unit Price	Volume Discount Rate	Unit Price	Volume Discount Rate	
		1 ~ 10 pc(s).	11-100 pcs.	1 ~ 10 pc(s).	11-100 pcs.	
BCBFB	3- 5	-	-			
	6					
	8					
	4- 6					
	8					
	10					
	12					
	5- 8					
	10					
	12					
	15					
	6- 8					
	10					
	12					
	15					

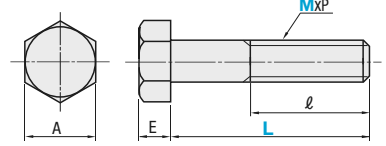
Ordering Example
Part Number
BCBFB6-15
BCBFS3-8

*The strength class signifies the screw's tensile strength.
 (Ex.) 10.9
 This indicates that the minimum value for yielding point or proof stress is 90% of tensile strength.
 This indicates that the minimum value of tensile strength is 1040N/mm².



RoHS

Type	Material	Hardness	Surface Treatment	Strength Class
RCB	EN 1.7220 Equiv.	32-39HRC	Black Oxide	10.9
RSCB	EN 1.4301 Equiv.	-	-	A2-50



RCB (Black Oxide)

Part Number	ℓ	Unit Price	Volume Discount Rate	
Type M-L		1 ~ 99 pc(s).	100 ~ 199 pc(s).	
		160 ~ 199 pc(s).	200 ~ 500 pc(s).	
RCB	5- 8			
	10			
	12			
	15			
	20			
	25			
	30			
	35			
	40			
	6-10			
	12			
	15			
	20			
	25			
	30			
	35			
	40			
	45			
	50			
	55			
	60			
	65			
	70			
	75			
	8-10			
	12			
	15			
	20			
	25			
	30			
35				
40				
45				
50				
55				
60				
65				
70				
75				
80				
90				
100				
10-15				
20				
25				
30				

RSCB (Stainless Steel)

Part Number	ℓ	Unit Price	Volume Discount Rate	
Type M-L		1 ~ 99 pc(s).	100 ~ 199 pc(s).	
		160 ~ 199 pc(s).	200 ~ 500 pc(s).	
RSCB	10-35			
	40			
	45			
	50			
	55			
	60			
	65			
	70			
	75			
	80			
	90			
	100			
	12-20			
	25			
	30			
	35			
	40			
	45			
	50			
	55			
	60			
	65			
	70			
	75			
	80			
	90			
	100			
	110			
	120			
	130			
16-30				
35				
40				
45				
50				
55				
60				
65				
70				
75				
80				
90				
100				
110				
120				
130				

RSCB (Stainless Steel)

Part Number	ℓ	Unit Price	Volume Discount Rate	
Type M-L		1 ~ 49 pc(s).	50 ~ 99 pc(s).	
		100 ~ 199 pc(s).	200 ~ 500 pc(s).	
RSCB	4- 8			
	10			
	12			
	15			
	20			
	25			
	30			
	35			
	40			
	5- 8			
	10			
	12			
15				
20				
25				
30				
35				
40				
50				
6-10				
12				
15				
20				
25				
30				
35				
40				
45				
50				
8-10				
12				
15				
20				
25				
30				
35				
40				
45				
50				
55				
60				
65				
70				
75				
80				
90				
100				

MxP	A	E
4x0.7	7.0	2.8
5x0.8	8.0	3.5
6x1.0	10	4.0
8x1.25	13	5.5
10x1.5	17	7.0
12x1.75	19	8.0
16x2.0	24	10

Part Number	ℓ	Unit Price	Volume Discount Rate	
Type M-L		1 ~ 49 pc(s).	50 ~ 99 pc(s).	
		100 ~ 199 pc(s).	200 ~ 500 pc(s).	
RSCB	8-60			
	65			
	70			
	75			
	80			
	90			
	100			
	10-15			
	20			
	25			
	30			
	35			
40				
45				
50				
55				
60				
65				
70				
75				
80				
90				
100				
12-20				
25				
30				
35				
40				
45				
50				
55				
60				
65				
70				
75				
80				
90				
100				

*The strength class signifies the screw's tensile strength.
 (Ex.) 10.9
 This indicates that the minimum value for yielding point or proof stress is 90% of tensile strength.
 This indicates that the minimum value of tensile strength is 1040N/mm².

Ordering Example
Part Number
RSCB12-100