



Flexible Hoses

-Low Pressure (Non-Welded) Type-

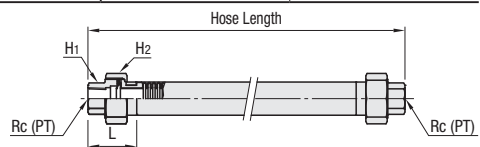
CAD Data

Flexible Hoses
- Low Pressure (Non-Welded)
Type- PT Female / PT Female



RoHS

| Type | Material | |
|--------|--------------------|--------------------|
| | Hose | Union Joint |
| HOELF | 1.4301/X5CrNi18-10 | JIS FCMB |
| HOELFS | 1.4301/X5CrNi18-10 | 1.4301/X5CrNi18-10 |



Specifications

- Permissible fluid: Steam · Air · Gas · Water · Oil
- Operation Temperature Range: 0 ~ 100°C
- Maximum Operating Pressure 1.0MPa

Features

- Excellent in corrosion resistance, as joint of fittings is not welded.
- Suitable to absorb vibration.

Purposes of Use

- General purpose plumbing, such as control of pipe displacement.

CAUTION

- Tolerance of a hose length is 0 ~ 3% of the full length.

Swaging Part Size List

| Hose Nominal Inner Dia. | RC (PT) | L | H1 | H2 |
|-------------------------|---------|----|----|----|
| 10A | 3/8 | 33 | 23 | 37 |
| 15A | 1/2 | 39 | 27 | 42 |
| 20A | 3/4 | 40 | 33 | 49 |
| 25A | 1 | 49 | 41 | 59 |
| 32A | 1 1/4 | 53 | 50 | 69 |
| 40A | 1 1/2 | 58 | 56 | 78 |
| 50A | 2 | 65 | 69 | 93 |

Hose Dimension

| Hose Nominal Inner Dia. | Inner Diameter (mm) | Outer Diameter (mm) | Min. Bending Radius (mm) | Spring Constant (N/mm) | Normal Pressure (MPa (kgf/cm ²)) |
|-------------------------|---------------------|---------------------|--------------------------|------------------------|--|
| 10A | 17 | 23 | 60 | 1534.6 | 1.0 |
| 15A | 19.2 | 25 | 65 | 1858.2 | |
| 20A | 24.1 | 31 | 80 | 1179.9 | |
| 25A | 29.5 | 39 | 100 | 1510.6 | |
| 32A | 38.6 | 47.5 | 120 | 1785 | |
| 40A | 44.8 | 54 | 120 | 3471 | |
| 50A | 56.4 | 66 | 140 | 3684 | |

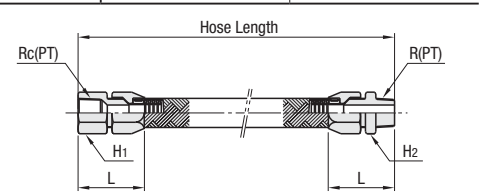
| Part Number | Hose Nominal Inner Dia. | Hose Length 0.1m Increment | HOELF € Unit Price | | HOELFS € Unit Price | | |
|-----------------|-------------------------|----------------------------|--------------------|------------------------|---------------------|------------------------|--|
| | | | € Unit Price | Hose € Unit Price/0.1m | € Unit Price | Hose € Unit Price/0.1m | |
| HOELF HOELFS | 10A | 0.3~2.0 | | | | | |
| | 15A | | | | | | |
| | 20A | | | | | | |
| | 25A | | | | | | |
| | 32A | | | | | | |
| | 40A | | | | | | |
| 50A | | | | | | | |

Flexible Hoses
- Low Pressure (Non-Welded)
Type - PT Male / PT Female



RoHS

| Type | Material | |
|--------|--------------------|--------------------|
| | Hose | Metal Fitting |
| HOEJF | 1.4301/X5CrNi18-10 | JIS FCMB |
| HOEJFS | 1.4301/X5CrNi18-10 | 1.4301/X5CrNi18-10 |



Specifications

- Permissible fluid: Steam · Air · Gas · Water · Oil
- Operation Temperature Range: 0 ~ 100°C
- Maximum Operating Pressure 1.0MPa

Features

- Excellent in corrosion resistance, as joint of fittings is not welded.
- Suitable to absorb vibration.

Purposes of Use

- General purpose plumbing, such as control of pipe displacement.

CAUTION

- Tolerance of a hose length is 0 ~ 3% of the full length.

Swaging Part Size List

| Hose Nominal Inner Dia. | R (PT) Rc (PT) | L | H1 | H2 |
|-------------------------|----------------|------|----|----|
| 10A | 3/8 | 51.0 | 24 | 24 |
| 15A | 1/2 | 56.5 | 27 | 27 |
| 20A | 3/4 | 61.5 | 32 | 32 |
| 25A | 1 | 68.5 | 41 | 41 |

Hose Dimension

| Hose Nominal Inner Dia. | Inner Diameter (mm) | Outer Diameter (mm) | Min. Bending Radius (mm) | Spring Constant (N/mm) | Normal Pressure (MPa (kgf/cm ²)) |
|-------------------------|---------------------|---------------------|--------------------------|------------------------|--|
| 10A | 10.5 | 16.3 | 35 | 2494.1 | 1.0 |
| 15A | 13 | 19.6 | 50 | 1894.1 | |
| 20A | 19 | 26.9 | 65 | 3789.9 | |
| 25A | 25.2 | 34 | 80 | 2550.1 | |

| Part Number | Hose Nominal Inner Dia. | Hose Length 0.1m Increment | HOEJF € Unit Price | | HOEJFS € Unit Price | |
|-----------------|-------------------------|----------------------------|--------------------|------------------------|---------------------|------------------------|
| | | | € Unit Price | Hose € Unit Price/0.1m | € Unit Price | Hose € Unit Price/0.1m |
| HOEJF HOEJFS | 10A | 0.3~2.0 | | | | |
| | 15A | | | | | |
| | 20A | | | | | |
| | 25A | | | | | |



| | | | |
|---------------|-------------|---|-------------|
| Order Example | Part Number | - | Hose Length |
| | HOELF10A | - | 1.0 |
| | HOEJFS25A | - | 0.5 |



Days to Ship **8 Days**



| | |
|----------|---|
| Price | Volume Discount (Round down to one Cent.) P87 |
| Quantity | 1-4 5-9 10-19 |
| Rate | € Unit Price 5% 10% |

<Price Calculation Example>
For HOELF10A-1.0,
€ Unit Price: 22.00
Hose € Unit Price/0.1m: 3.00
22.00+3.00x10=52.00
By rounding it down to the nearest ten Cent, it is 52.00 EUR



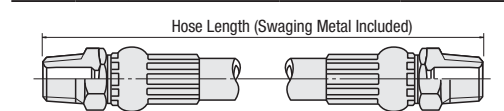
Fluoro Resin Flexible Hoses

Flexible Fluoro Resin Hoses



RoHS

| Type | Material | | |
|--------|----------------|--------------------|--------------------|
| | Hose | Hose Reinforcement | Swaging Parts |
| HOSFR | Fluorine Resin | 1.4301/X5CrNi18-10 | 1.0038/S235JR |
| HOSFRS | Fluorine Resin | 1.4301/X5CrNi18-10 | 1.4301/X5CrNi18-10 |



Specifications

- Permissible fluid: Air · gas · water · solvent
- Operation Temperature Range: -54 ~ 232°C
- Maximum Operating Pressure: Depends on size.
- When using with steam: Operation Temperature 198°C Operating Pressure 1.4MPa or lower

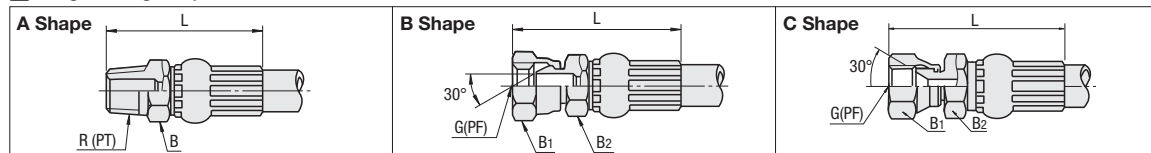
Features

- Excellent in heat resistance and chemical resistance.
- Suitable for use with viscous materials, such as adhesives and paints.

CAUTION

- Avoid using the same hose for steam and water or for steam and nitrogen.

Swage Fitting Shapes



Hose Specifications

| Hose Nominal Inner Dia. | Max. Operating Pressure (Mpa) | Min. Destructive Pressure (Mpa) | Min. Bending Radius (mm) | Approx. Mass (g/m) |
|-------------------------|-------------------------------|---------------------------------|--------------------------|--------------------|
| 4 | 20.5 | 82.0 | 51 | 105 |
| 6 | 20.5 | 82.0 | 76 | 120 |
| 8 | 17.0 | 68.0 | 102 | 145 |

Swaging Part Size List

| Hose Nominal Inner Dia. | R (PT) G (PF) | A Shape | | | B Shape | | | C Shape | | |
|-------------------------|---------------|------------------------|----|-------------------------|-------------------------|----|-------------------------|-------------------------|----|--|
| | | B (Width Across Flats) | L | B1 (Width Across Flats) | B2 (Width Across Flats) | L | B1 (Width Across Flats) | B2 (Width Across Flats) | L | |
| 4 | 1/4 | 17 | 43 | 19 | 17 | 48 | 19 | 17 | 48 | |
| 6 | 1/4 | 17 | 43 | 19 | 17 | 48 | 19 | 17 | 48 | |
| 8 | 3/8 | 19 | 48 | 22 | 19 | 53 | 22 | 19 | 53 | |

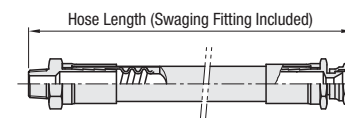
| Part Number | Hose Nominal Inner Dia. | Hose Length 0.1m Increment | L Left End Swaged | R Right End Swaged | Hose Inner Dia. (mm) | Hose Outer Dia. (mm) | € Unit Price | |
|-----------------|-------------------------|----------------------------|-------------------|--------------------|----------------------|----------------------|------------------------|--|
| | | | | | | | € Unit Price of Hose/m | Additional Charge for Swaging Fittings for Both Ends |
| HOSFR HOSFRS | 4 | 0.3~20.0 | LA | RA | 4.8 | 7.7 | | |
| | 6 | | LB | RB | 6.4 | 9.5 | | |
| | 8 | | LC | RC | 7.9 | 10.9 | | |

Flexible Fluoro Resin Hoses
-High-Flex Type-



RoHS

| Type | Material | | |
|--------|----------------|--------------------|--------------------|
| | Hose | Wire Braided | Swaging Parts |
| HOSJRS | Fluorine Resin | 1.4301/X5CrNi18-10 | 1.4301/X5CrNi18-10 |



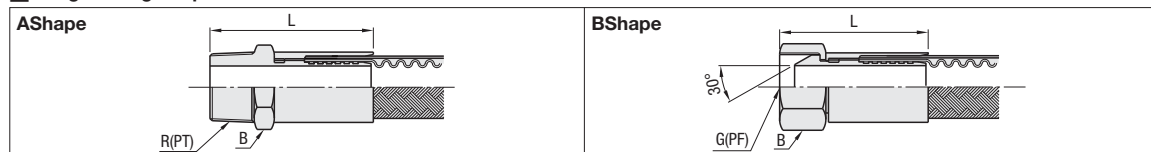
Specifications

- Permissible fluid: Air · gas · water · solvent
- Operation Temperature Range: -100 ~ 120°C
- Maximum Operating Pressure 1.0MPa

Features

- Spiral corrugated hose provides superior flexibility.
- Suitable for high vibration environment and applications where damages from deformation are expected.

Swage Fitting Shapes



Hose Specifications

| Hose Nominal Inner Dia. | Inner Diameter (mm) | Outer Diameter (mm) | Min. Bending Radius (mm) | Normal Pressure (Mpa) |
|-------------------------|---------------------|---------------------|--------------------------|-----------------------|
| 6A | 4.0 | 7.0 | 20 | 3.0 |
| 8A | 5.0 | 8.5 | 20 | 2.5 |
| 10A | 9.0 | 13.0 | 25 | 2.0 |
| 15A | 11.0 | 16.5 | 30 | 2.0 |

Swaging Part Size List

| Hose Nominal Inner Dia. | R (PT) G (PF) | A Shape | | B Shape | |
|-------------------------|---------------|------------------------|----|------------------------|----|
| | | B (Width Across Flats) | L | B (Width Across Flats) | L |
| 6A | 1/8 | 12 | 39 | 14 | 37 |
| 8A | 1/4 | 14 | 47 | 17 | 43 |
| 10A | 3/8 | 19 | 53 | 21 | 49 |
| 15A | 1/2 | 24 | 60 | 26 | 57 |

| Part Number | Hose Nominal Inner Dia. | Hose Length 0.1m Increment | L Left End Swaged | R Right End Swaged | Hose € Unit Price/0.1m | € Unit Price of One End Swaged Parts | |
|-------------|-------------------------|----------------------------|-------------------|--------------------|------------------------|--------------------------------------|---------|
| | | | | | | A Shape | B Shape |
| HOSJRS | 6A | 0.3~2.0 | LA | RA | | | |
| | 8A | | LB | RB | | | |
| | 10A | | | | | | |
| | 15A | | | | | | |



| | | | | | | | | |
|---------------|-------------|---|-------------|---|---------|---|---------|-------|
| Order Example | Part Number | - | Hose Length | - | Shape L | - | Shape R | Price |
| | HOSFR6 | - | 1.0 | - | LA | - | RA | |
| | HOSJRS8A | - | 1.5 | - | LB | - | RA | |

| | | | |
|---|--------------|-----|-------|
| Volume Discount (Round down to one Cent.) P87 | | | |
| Quantity | 1-4 | 5-9 | 10-19 |
| Rate | € Unit Price | 5% | 10% |

<Price Calculation Example>
For HOSFR6-2.5-LA-RB
Hose € Unit Price/m: 58.10
58.10x2.5+59.40=204.65
By rounding it down to the nearest ten Cent, it is 204.60 EUR
For HOSJRS8A-1.5-LB-RA
Hose € Unit Price/0.1m: 9.00
9.00x15+81.60+66.90=283.50
By rounding it down to the nearest ten Cent, it is 283.50 EUR




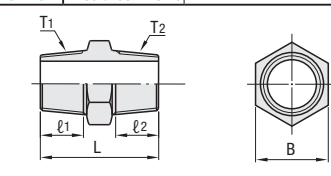
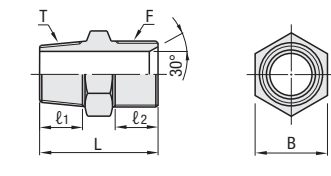

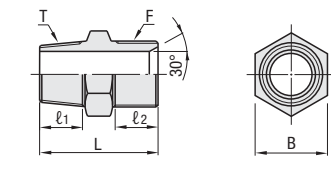
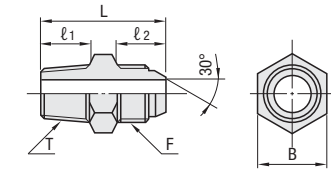

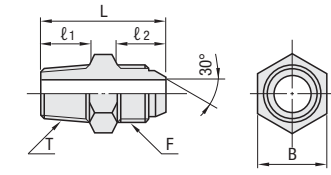
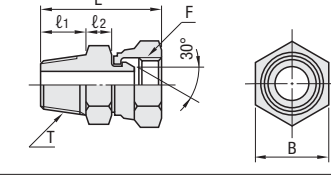

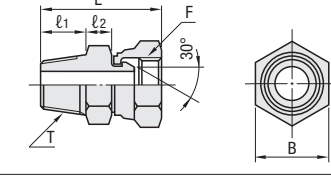
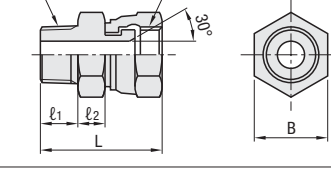

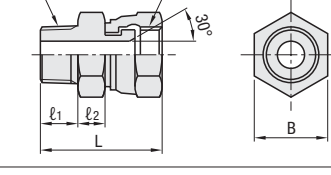
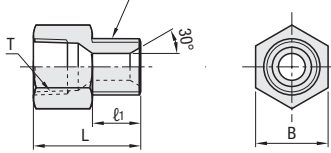

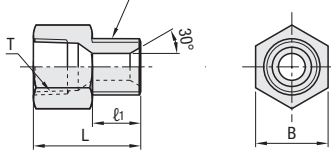
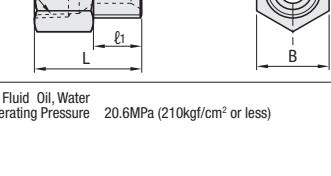
Days to Ship **8 Days** Express A 5,00 EUR/ piece P88 **10 Days**

Express Charge of 13,50 EUR for 3 or more identical pieces.

Hydraulic Fittings

-Straight-

CAD Data

| PT · PT Both-Side Male -Straight-  RoHS | <table border="1"> <tr> <th>Type</th> <th>M Material</th> <th>S Surface Treatment</th> </tr> <tr> <td>YCPT</td> <td>1.1181/C35E</td> <td>Trivalent Chromate</td> </tr> <tr> <td>YCPTS</td> <td>1.4301/X5CrNi18-10</td> <td>-</td> </tr> </table>  | Type | M Material | S Surface Treatment | YCPT | 1.1181/C35E | Trivalent Chromate | YCPTS | 1.4301/X5CrNi18-10 | - |
|--|--|---------------------|---------------------|---------------------|-------------|--------------------|--------------------|--------------------|--------------------|---|
| | Type | M Material | S Surface Treatment | | | | | | | |
| YCPT | 1.1181/C35E | Trivalent Chromate | | | | | | | | |
| YCPTS | 1.4301/X5CrNi18-10 | - | | | | | | | | |
| <table border="1"> <tr> <th>Type</th> <th>M Material</th> <th>S Surface Treatment</th> </tr> <tr> <td>YCPF</td> <td>1.1181/C35E</td> <td>Trivalent Chromate</td> </tr> <tr> <td>YCPFS</td> <td>1.4301/X5CrNi18-10</td> <td>-</td> </tr> </table>  | Type | M Material | S Surface Treatment | YCPF | 1.1181/C35E | Trivalent Chromate | YCPFS | 1.4301/X5CrNi18-10 | - | |
| Type | M Material | S Surface Treatment | | | | | | | | |
| YCPF | 1.1181/C35E | Trivalent Chromate | | | | | | | | |
| YCPFS | 1.4301/X5CrNi18-10 | - | | | | | | | | |
| PT · PF Both-Side Male -Straight, Female-  RoHS | <table border="1"> <tr> <th>Type</th> <th>M Material</th> <th>S Surface Treatment</th> </tr> <tr> <td>YCPFP</td> <td>1.1181/C35E</td> <td>Trivalent Chromate</td> </tr> <tr> <td>YCPFSP</td> <td>1.4301/X5CrNi18-10</td> <td>-</td> </tr> </table>  | Type | M Material | S Surface Treatment | YCPFP | 1.1181/C35E | Trivalent Chromate | YCPFSP | 1.4301/X5CrNi18-10 | - |
| | Type | M Material | S Surface Treatment | | | | | | | |
| YCPFP | 1.1181/C35E | Trivalent Chromate | | | | | | | | |
| YCPFSP | 1.4301/X5CrNi18-10 | - | | | | | | | | |
| <table border="1"> <tr> <th>Type</th> <th>M Material</th> <th>S Surface Treatment</th> </tr> <tr> <td>YCPFP</td> <td>1.1181/C35E</td> <td>Trivalent Chromate</td> </tr> <tr> <td>YCPFSP</td> <td>1.4301/X5CrNi18-10</td> <td>-</td> </tr> </table>  | Type | M Material | S Surface Treatment | YCPFP | 1.1181/C35E | Trivalent Chromate | YCPFSP | 1.4301/X5CrNi18-10 | - | |
| Type | M Material | S Surface Treatment | | | | | | | | |
| YCPFP | 1.1181/C35E | Trivalent Chromate | | | | | | | | |
| YCPFSP | 1.4301/X5CrNi18-10 | - | | | | | | | | |
| PT · PF Both-Side Male -Straight, Male-  RoHS | <table border="1"> <tr> <th>Type</th> <th>M Material</th> <th>S Surface Treatment</th> </tr> <tr> <td>YCPFP</td> <td>1.1181/C35E</td> <td>Trivalent Chromate</td> </tr> <tr> <td>YCPFSP</td> <td>1.4301/X5CrNi18-10</td> <td>-</td> </tr> </table>  | Type | M Material | S Surface Treatment | YCPFP | 1.1181/C35E | Trivalent Chromate | YCPFSP | 1.4301/X5CrNi18-10 | - |
| | Type | M Material | S Surface Treatment | | | | | | | |
| YCPFP | 1.1181/C35E | Trivalent Chromate | | | | | | | | |
| YCPFSP | 1.4301/X5CrNi18-10 | - | | | | | | | | |
| <table border="1"> <tr> <th>Type</th> <th>M Material</th> <th>S Surface Treatment</th> </tr> <tr> <td>YCPFP</td> <td>1.1181/C35E</td> <td>Trivalent Chromate</td> </tr> <tr> <td>YCPFSP</td> <td>1.4301/X5CrNi18-10</td> <td>-</td> </tr> </table>  | Type | M Material | S Surface Treatment | YCPFP | 1.1181/C35E | Trivalent Chromate | YCPFSP | 1.4301/X5CrNi18-10 | - | |
| Type | M Material | S Surface Treatment | | | | | | | | |
| YCPFP | 1.1181/C35E | Trivalent Chromate | | | | | | | | |
| YCPFSP | 1.4301/X5CrNi18-10 | - | | | | | | | | |
| PT Male · PF Female -Straight, Male-  RoHS | <table border="1"> <tr> <th>Type</th> <th>M Material</th> <th>S Surface Treatment</th> </tr> <tr> <td>YCPFG</td> <td>1.1181/C35E</td> <td>Trivalent Chromate</td> </tr> <tr> <td>YCPFGS</td> <td>1.4301/X5CrNi18-10</td> <td>-</td> </tr> </table>  | Type | M Material | S Surface Treatment | YCPFG | 1.1181/C35E | Trivalent Chromate | YCPFGS | 1.4301/X5CrNi18-10 | - |
| | Type | M Material | S Surface Treatment | | | | | | | |
| YCPFG | 1.1181/C35E | Trivalent Chromate | | | | | | | | |
| YCPFGS | 1.4301/X5CrNi18-10 | - | | | | | | | | |
| <table border="1"> <tr> <th>Type</th> <th>M Material</th> <th>S Surface Treatment</th> </tr> <tr> <td>YCPFG</td> <td>1.1181/C35E</td> <td>Trivalent Chromate</td> </tr> <tr> <td>YCPFGS</td> <td>1.4301/X5CrNi18-10</td> <td>-</td> </tr> </table>  | Type | M Material | S Surface Treatment | YCPFG | 1.1181/C35E | Trivalent Chromate | YCPFGS | 1.4301/X5CrNi18-10 | - | |
| Type | M Material | S Surface Treatment | | | | | | | | |
| YCPFG | 1.1181/C35E | Trivalent Chromate | | | | | | | | |
| YCPFGS | 1.4301/X5CrNi18-10 | - | | | | | | | | |
| PT Male · PF Female -Straight, Female-  RoHS | <table border="1"> <tr> <th>Type</th> <th>M Material</th> <th>S Surface Treatment</th> </tr> <tr> <td>YCPFGP</td> <td>1.1181/C35E</td> <td>Trivalent Chromate</td> </tr> </table>  | Type | M Material | S Surface Treatment | YCPFGP | 1.1181/C35E | Trivalent Chromate | | | |
| | Type | M Material | S Surface Treatment | | | | | | | |
| YCPFGP | 1.1181/C35E | Trivalent Chromate | | | | | | | | |
| <table border="1"> <tr> <th>Type</th> <th>M Material</th> <th>S Surface Treatment</th> </tr> <tr> <td>YCPFGP</td> <td>1.1181/C35E</td> <td>Trivalent Chromate</td> </tr> </table>  | Type | M Material | S Surface Treatment | YCPFGP | 1.1181/C35E | Trivalent Chromate | | | | |
| Type | M Material | S Surface Treatment | | | | | | | | |
| YCPFGP | 1.1181/C35E | Trivalent Chromate | | | | | | | | |
| PT Female · PF Male -Straight, Female-  RoHS | <table border="1"> <tr> <th>Type</th> <th>M Material</th> <th>S Surface Treatment</th> </tr> <tr> <td>YCPFF</td> <td>1.1181/C35E</td> <td>Trivalent Chromate</td> </tr> <tr> <td>YCPFFS</td> <td>1.4301/X5CrNi18-10</td> <td>-</td> </tr> </table>  | Type | M Material | S Surface Treatment | YCPFF | 1.1181/C35E | Trivalent Chromate | YCPFFS | 1.4301/X5CrNi18-10 | - |
| | Type | M Material | S Surface Treatment | | | | | | | |
| YCPFF | 1.1181/C35E | Trivalent Chromate | | | | | | | | |
| YCPFFS | 1.4301/X5CrNi18-10 | - | | | | | | | | |
| <table border="1"> <tr> <th>Type</th> <th>M Material</th> <th>S Surface Treatment</th> </tr> <tr> <td>YCPFF</td> <td>1.1181/C35E</td> <td>Trivalent Chromate</td> </tr> <tr> <td>YCPFFS</td> <td>1.4301/X5CrNi18-10</td> <td>-</td> </tr> </table>  | Type | M Material | S Surface Treatment | YCPFF | 1.1181/C35E | Trivalent Chromate | YCPFFS | 1.4301/X5CrNi18-10 | - | |
| Type | M Material | S Surface Treatment | | | | | | | | |
| YCPFF | 1.1181/C35E | Trivalent Chromate | | | | | | | | |
| YCPFFS | 1.4301/X5CrNi18-10 | - | | | | | | | | |

Specification Applicable Fluid Oil, Water
Normal Operating Pressure 20.6MPa (210kgf/cm² or less)

| Part Number | Type | No. | T ₁ | T ₂ | L | ℓ ₁ | ℓ ₂ | B | € Unit Price | |
|-------------|------|-----|----------------|----------------|--------|----------------|----------------|---|--------------|-------|
| | | | R (PT) | R (PT) | | | | | YCPT | YCPTS |
| 11 | | 1/8 | 1/8 | 26 | 10 | 10 | 12 | | | |
| 12 | | 1/8 | 1/4 | 31 | 10 | 13 | 17 | | | |
| 13 | | 1/8 | 3/8 | 33 | 10 | 15 | 21 | | | |
| 22 | | 1/4 | 1/4 | 34 | 13 | 13 | 17 | | | |
| 23 | | 1/4 | 3/8 | 36 | 13 | 15 | 21 | | | |
| 33 | | 3/8 | 3/8 | 37 | 15 | 15 | 21 | | | |
| 34 | | 3/8 | 1/2 | 40(46) | 14(16) | 17(19) | 26(22) | | | |
| 44 | | 1/2 | 1/2 | 43 | 17 | 17 | 26(22) | | | |
| 46 | | 1/2 | 3/4 | 46(48) | 17(18) | 19 | 32(27) | | | |
| 66 | | 3/4 | 3/4 | 48 | 19 | 19 | 32(27) | | | |

YCPT
YCPTS
Dimension in () are for YCPTS.

| Part Number | Type | No. | T | F | L | ℓ ₁ | ℓ ₂ | B | € Unit Price | |
|-------------|------|-----|--------|--------|----|----------------|----------------|---|--------------|-------|
| | | | R (PT) | G (PF) | | | | | YCPF | YCPFS |
| 11F | | 1/8 | 1/8 | 27 | 10 | 11 | 14 | | | |
| 12F | | 1/8 | 1/4 | 32 | 10 | 13 | 19 | | | |
| 13F | | 1/8 | 3/8 | 34 | 10 | 15 | 22 | | | |
| 21F | | 1/4 | 1/8 | 32 | 13 | 11 | 14 | | | |
| 22F | | 1/4 | 1/4 | 34 | 13 | 13 | 19 | | | |
| 23F | | 1/4 | 3/8 | 36 | 13 | 15 | 22 | | | |
| 31F | | 3/8 | 1/8 | 34 | 15 | 11 | 19 | | | |
| 32F | | 3/8 | 1/4 | 36 | 15 | 13 | 19 | | | |
| 33F | | 3/8 | 3/8 | 38 | 15 | 15 | 22 | | | |
| 34F | | 3/8 | 1/2 | 42 | 15 | 17 | 27 | | | |
| 44F | | 1/2 | 1/2 | 47 | 18 | 18 | 27 | | | |
| 46F | | 1/2 | 3/4 | 50 | 18 | 20 | 32 | | | |
| 64F | | 3/4 | 1/2 | 47 | 20 | 17 | 27 | | | |
| 66F | | 3/4 | 3/4 | 53 | 20 | 20 | 36 | | | |

| Part Number | Type | No. | T | F | L | ℓ ₁ | ℓ ₂ | B | € Unit Price | |
|-------------|------|-----|--------|--------|----|----------------|----------------|---|--------------|--------|
| | | | R (PT) | G (PF) | | | | | YCPFP | YCPFSP |
| 11F | | 1/8 | 1/8 | 31 | 10 | 13 | 14 | | | |
| 12F | | 1/8 | 1/4 | 34 | 10 | 16 | 19 | | | |
| 13F | | 1/8 | 3/8 | 37 | 10 | 17.5 | 22 | | | |
| 21F | | 1/4 | 1/8 | 34 | 13 | 13 | 14 | | | |
| 22F | | 1/4 | 1/4 | 37 | 13 | 16 | 19 | | | |
| 23F | | 1/4 | 3/8 | 38.5 | 13 | 17.5 | 22 | | | |
| 31F | | 3/8 | 1/8 | 37 | 15 | 13 | 19 | | | |
| 32F | | 3/8 | 1/4 | 38.5 | 15 | 16 | 19 | | | |
| 33F | | 3/8 | 3/8 | 40.5 | 15 | 17.5 | 22 | | | |
| 34F | | 3/8 | 1/2 | 45 | 15 | 20 | 27 | | | |
| 44F | | 1/2 | 1/2 | 48 | 18 | 20 | 27 | | | |
| 46F | | 1/2 | 3/4 | 52 | 18 | 22 | 32 | | | |
| 64F | | 3/4 | 1/2 | 50 | 20 | 20 | 27 | | | |
| 66F | | 3/4 | 3/4 | 54 | 20 | 22 | 36 | | | |

| Part Number | Type | No. | T | F | L | ℓ ₁ | ℓ ₂ | B | € Unit Price | |
|-------------|------|-----|--------|--------|----|----------------|----------------|---|--------------|--------|
| | | | R (PT) | G (PF) | | | | | YCPFG | YCPFGS |
| 11F | | 1/8 | 1/8 | 31 | 10 | 6 | 14 | | | |
| 12F | | 1/8 | 1/4 | 34 | 10 | 8 | 19 | | | |
| 21F | | 1/4 | 1/8 | 34 | 13 | 6 | 14 | | | |
| 22F | | 1/4 | 1/4 | 38 | 13 | 8 | 19 | | | |
| 23F | | 1/4 | 3/8 | 39 | 13 | 8 | 22 | | | |
| 32F | | 3/8 | 1/4 | 39 | 15 | 8 | 19 | | | |
| 33F | | 3/8 | 3/8 | 42 | 15 | 8 | 22 | | | |

| Part Number | Type | No. | T | F | L | ℓ ₁ | ℓ ₂ | B | € Unit Price | |
|-------------|------|-----|--------|--------|----|----------------|----------------|---|--------------|--------|
| | | | R (PT) | G (PF) | | | | | YCPFGP | YCPFGS |
| 22F | | 1/4 | 1/4 | 38 | 13 | 8 | 19 | | | |
| 33F | | 3/8 | 3/8 | 42 | 15 | 8 | 22 | | | |
| 44F | | 1/2 | 1/2 | 50 | 18 | 10 | 27 | | | |

| Part Number | Type | No. | T | F | L | ℓ | € Unit Price | |
|-------------|------|-----|---------|--------|----|----|--------------|--------|
| | | | Rc (PT) | G (PF) | | | YCPFF | YCPFFS |
| 22F | | 1/4 | 1/4 | 30 | 13 | 19 | | |
| 33F | | 3/8 | 3/8 | 34 | 15 | 22 | | |
| 44F | | 1/2 | 1/2 | 40 | 18 | 27 | | |

Order Example Part Number YCPT11

Days to Ship 6 Days P87

Price Volume Discount (Round down to one Cent.) P87

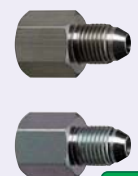
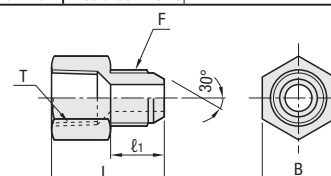
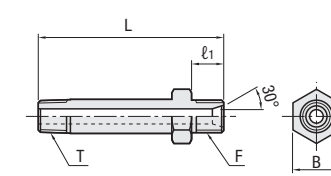

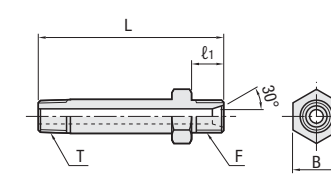
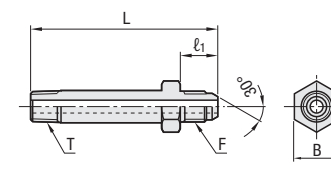

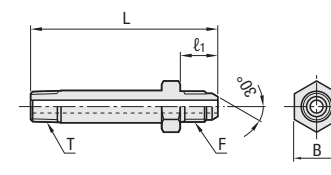
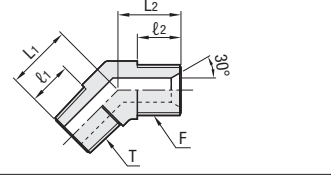
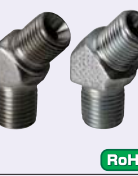
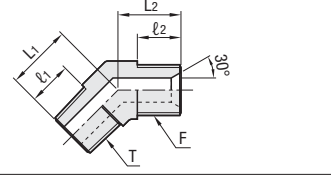
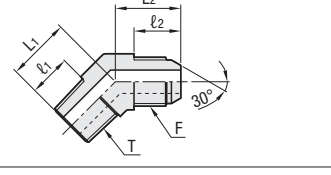
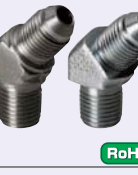
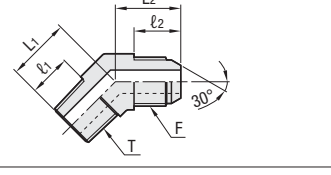
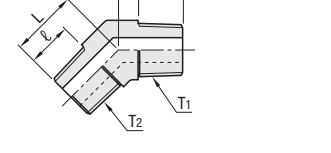
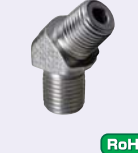
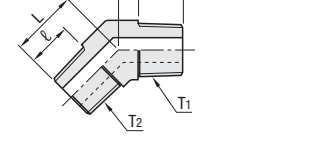
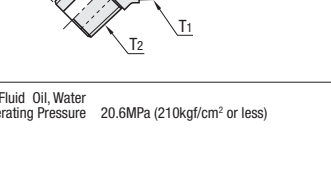
| Quantity | Rate | € Unit Price | 5% | 10% |
|----------|------|--------------|----|-----|
| 1-9 | | | | |
| 10-19 | | | | |
| 20-29 | | | | |

For orders larger than indicated quantity, please request a quotation.

Hydraulic Fittings

-Straight Type · 45° Elbow Type-

CAD Data

| PT Female · PF Male -Straight, Male-  RoHS | <table border="1"> <tr> <th>Type</th> <th>M Material</th> <th>S Surface Treatment</th> </tr> <tr> <td>YCPFFP</td> <td>1.1181/C35E</td> <td>Trivalent Chromate</td> </tr> <tr> <td>YCPFFSP</td> <td>1.4301/X5CrNi18-10</td> <td>-</td> </tr> </table>  | Type | M Material | S Surface Treatment | YCPFFP | 1.1181/C35E | Trivalent Chromate | YCPFFSP | 1.4301/X5CrNi18-10 | - |
|---|---|---------------------|---------------------|---------------------|-------------|--------------------|--------------------|--------------------|--------------------|---|
| | Type | M Material | S Surface Treatment | | | | | | | |
| YCPFFP | 1.1181/C35E | Trivalent Chromate | | | | | | | | |
| YCPFFSP | 1.4301/X5CrNi18-10 | - | | | | | | | | |
| <table border="1"> <tr> <th>Type</th> <th>M Material</th> <th>S Surface Treatment</th> </tr> <tr> <td>YCPFFP</td> <td>1.1181/C35E</td> <td>Trivalent Chromate</td> </tr> <tr> <td>YCPFFSP</td> <td>1.4301/X5CrNi18-10</td> <td>-</td> </tr> </table>  | Type | M Material | S Surface Treatment | YCPFFP | 1.1181/C35E | Trivalent Chromate | YCPFFSP | 1.4301/X5CrNi18-10 | - | |
| Type | M Material | S Surface Treatment | | | | | | | | |
| YCPFFP | 1.1181/C35E | Trivalent Chromate | | | | | | | | |
| YCPFFSP | 1.4301/X5CrNi18-10 | - | | | | | | | | |
| PT · PF Both-Side Male -Long Straight, Female-  RoHS | <table border="1"> <tr> <th>Type</th> <th>M Material</th> <th>S Surface Treatment</th> </tr> <tr> <td>YCPFLF</td> <td>1.1181/C35E</td> <td>Trivalent Chromate</td> </tr> </table>  | Type | M Material | S Surface Treatment | YCPFLF | 1.1181/C35E | Trivalent Chromate | | | |
| | Type | M Material | S Surface Treatment | | | | | | | |
| YCPFLF | 1.1181/C35E | Trivalent Chromate | | | | | | | | |
| <table border="1"> <tr> <th>Type</th> <th>M Material</th> <th>S Surface Treatment</th> </tr> <tr> <td>YCPFLF</td> <td>1.1181/C35E</td> <td>Trivalent Chromate</td> </tr> </table>  | Type | M Material | S Surface Treatment | YCPFLF | 1.1181/C35E | Trivalent Chromate | | | | |
| Type | M Material | S Surface Treatment | | | | | | | | |
| YCPFLF | 1.1181/C35E | Trivalent Chromate | | | | | | | | |
| PT · PF Both-Side Male -Long Straight, Male-  RoHS | <table border="1"> <tr> <th>Type</th> <th>M Material</th> <th>S Surface Treatment</th> </tr> <tr> <td>YCPFLP</td> <td>1.1181/C35E</td> <td>Trivalent Chromate</td> </tr> </table>  | Type | M Material | S Surface Treatment | YCPFLP | 1.1181/C35E | Trivalent Chromate | | | |
| | Type | M Material | S Surface Treatment | | | | | | | |
| YCPFLP | 1.1181/C35E | Trivalent Chromate | | | | | | | | |
| <table border="1"> <tr> <th>Type</th> <th>M Material</th> <th>S Surface Treatment</th> </tr> <tr> <td>YCPFLP</td> <td>1.1181/C35E</td> <td>Trivalent Chromate</td> </tr> </table>  | Type | M Material | S Surface Treatment | YCPFLP | 1.1181/C35E | Trivalent Chromate | | | | |
| Type | M Material | S Surface Treatment | | | | | | | | |
| YCPFLP | 1.1181/C35E | Trivalent Chromate | | | | | | | | |
| PT · PF Both-Side Male -45° Elbow, Female-  RoHS | <table border="1"> <tr> <th>Type</th> <th>M Material</th> <th>S Surface Treatment</th> </tr> <tr> <td>YCWPF</td> <td>1.1158/C25E</td> <td>Trivalent Chromate</td> </tr> <tr> <td>YCWPFSP</td> <td>1.4301/X5CrNi18-10</td> <td>-</td> </tr> </table>  | Type | M Material | S Surface Treatment | YCWPF | 1.1158/C25E | Trivalent Chromate | YCWPFSP | 1.4301/X5CrNi18-10 | - |
| | Type | M Material | S Surface Treatment | | | | | | | |
| YCWPF | 1.1158/C25E | Trivalent Chromate | | | | | | | | |
| YCWPFSP | 1.4301/X5CrNi18-10 | - | | | | | | | | |
| <table border="1"> <tr> <th>Type</th> <th>M Material</th> <th>S Surface Treatment</th> </tr> <tr> <td>YCWPF</td> <td>1.1158/C25E</td> <td>Trivalent Chromate</td> </tr> <tr> <td>YCWPFSP</td> <td>1.4301/X5CrNi18-10</td> <td>-</td> </tr> </table>  | Type | M Material | S Surface Treatment | YCWPF | 1.1158/C25E | Trivalent Chromate | YCWPFSP | 1.4301/X5CrNi18-10 | - | |
| Type | M Material | S Surface Treatment | | | | | | | | |
| YCWPF | 1.1158/C25E | Trivalent Chromate | | | | | | | | |
| YCWPFSP | 1.4301/X5CrNi18-10 | - | | | | | | | | |
| PT · PF Both-Side Male -45° Elbow, Male-  RoHS | <table border="1"> <tr> <th>Type</th> <th>M Material</th> <th>S Surface Treatment</th> </tr> <tr> <td>YCWPP</td> <td>1.1158/C25E</td> <td>Trivalent Chromate</td> </tr> <tr> <td>YCWPPSP</td> <td>1.4301/X5CrNi18-10</td> <td>-</td> </tr> </table>  | Type | M Material | S Surface Treatment | YCWPP | 1.1158/C25E | Trivalent Chromate | YCWPPSP | 1.4301/X5CrNi18-10 | - |
| | Type | M Material | S Surface Treatment | | | | | | | |
| YCWPP | 1.1158/C25E | Trivalent Chromate | | | | | | | | |
| YCWPPSP | 1.4301/X5CrNi18-10 | - | | | | | | | | |
| <table border="1"> <tr> <th>Type</th> <th>M Material</th> <th>S Surface Treatment</th> </tr> <tr> <td>YCWPP</td> <td>1.1158/C25E</td> <td>Trivalent Chromate</td> </tr> <tr> <td>YCWPPSP</td> <td>1.4301/X5CrNi18-10</td> <td>-</td> </tr> </table>  | Type | M Material | S Surface Treatment | YCWPP | 1.1158/C25E | Trivalent Chromate | YCWPPSP | 1.4301/X5CrNi18-10 | - | |
| Type | M Material | S Surface Treatment | | | | | | | | |
| YCWPP | 1.1158/C25E | Trivalent Chromate | | | | | | | | |
| YCWPPSP | 1.4301/X5CrNi18-10 | - | | | | | | | | |
| PT · PT Both-Side Male -45° Elbow-  RoHS | <table border="1"> <tr> <th>Type</th> <th>M Material</th> <th>S Surface Treatment</th> </tr> <tr> <td>YCWPT</td> <td>1.1158/C25E</td> <td>Trivalent Chromate</td> </tr> </table>  | Type | M Material | S Surface Treatment | YCWPT | 1.1158/C25E | Trivalent Chromate | | | |
| | Type | M Material | S Surface Treatment | | | | | | | |
| YCWPT | 1.1158/C25E | Trivalent Chromate | | | | | | | | |
| <table border="1"> <tr> <th>Type</th> <th>M Material</th> <th>S Surface Treatment</th> </tr> <tr> <td>YCWPT</td> <td>1.1158/C25E</td> <td>Trivalent Chromate</td> </tr> </table>  | Type | M Material | S Surface Treatment | YCWPT | 1.1158/C25E | Trivalent Chromate | | | | |
| Type | M Material | S Surface Treatment | | | | | | | | |
| YCWPT | 1.1158/C25E | Trivalent Chromate | | | | | | | | |

Specification Applicable Fluid Oil, Water
Normal Operating Pressure 20.6MPa (210kgf/cm² or less)

| Part Number | Type | No. | T | F | L | ℓ ₁ | ℓ ₂ | B | € Unit Price | |
|-------------|------|-----|---------|--------|----|----------------|----------------|---|--------------|---------|
| | | | Rc (PT) | G (PF) | | | | | YCPFFP | YCPFFSP |
| 22F | | 1/4 | 1/4 | 33 | 16 | 19 | | | | |
| 33F | | 3/8 | 3/8 | 37 | 18 | 22 | | | | |
| 44F | | 1/2 | 1/2 | 42 | 20 | 27 | | | | |

| Part Number | Type | No. | T | F | L | ℓ ₁ | ℓ ₂ | B | € Unit Price | |
|-------------|------|-----|--------|--------|----|----------------|----------------|---|--------------|--------|
| | | | R (PT) | G (PF) | | | | | YCPFLF | YCPFLP |
| 22F | | 1/4 | 1/4 | 75 | 13 | 19 | | | | |
| 33F | | 3/8 | 3/8 | 78 | 15 | 22 | | | | |
| 44F | | 1/2 | 1/2 | 93 | 18 | 27 | | | | |

| Part Number | Type | No. | T | F | L | ℓ ₁ | ℓ ₂ | B | € Unit Price | |
|-------------|------|-----|--------|--------|----|----------------|----------------|---|--------------|--------|
| | | | R (PT) | G (PF) | | | | | YCPFLP | YCPFLP |
| 22F | | 1/4 | 1/4 | 74 | 16 | 19 | | | | |
| 33F | | 3/8 | 3/8 | 80 | 18 | 22 | | | | |
| 44F | | 1/2 | 1/2 | 95 | 20 | 27 | | | | |

| Part Number | Type | No. | T | F | L ₁ | L ₂ | ℓ ₁ | ℓ ₂ | € Unit Price | |
|-------------|------|-----|--------|--------|----------------|----------------|----------------|----------------|--------------|---------|
| | | | R (PT) | G (PF) | | | | | YCWPF | YCWPFSP |
| 11F | | 1/8 | 1/8 | 18 | 17 | 12 | 11 | | | |
| 22F | | 1/4 | 1/4 | 21 | 21 | 13 | 13 | | | |
| 33F | | 3/8 | 3/8 | 23 | 23 | 15 | 15 | | | |
| 44F | | 1/2 | 1/2 | 29 | 28 | 18 | 1 | | | |

Hydraulic Fittings

-Elbow Type-

CAD Data

| | | | |
|------|---------------------------------|--|---|
| | Type YCLPT YCLPTS | M Material 1.1158/C25E 1.4301/XSCRNI18-10 | S Surface Treatment Trivalent Chromate - |
| | | | |
| RoHS | | | |
| | Type YCLPF YCLPFS | M Material 1.1158/C25E 1.4301/XSCRNI18-10 | S Surface Treatment Trivalent Chromate - |
| | | | |
| RoHS | | | |
| | Type YCLPFP YCLPFS | M Material 1.1158/C25E 1.4301/XSCRNI18-10 | S Surface Treatment Trivalent Chromate - |
| | | | |
| RoHS | | | |
| | Type YCLPFG YCLPFS | M Material 1.1158/C25E 1.4301/XSCRNI18-10 | S Surface Treatment Trivalent Chromate - |
| | | | |
| RoHS | | | |

| Part Number | T ₁ | T ₂ | L ₁ | L ₂ | ℓ ₁ | ℓ ₂ | € Unit Price | |
|-------------|----------------|----------------|----------------|----------------|----------------|----------------|--------------|--------|
| | | | | | | | YCLPT | YCLPTS |
| 11 | 1/8 | 1/8 | 20 | 20 | 13 | 13 | | |
| 12 | 1/8 | 1/4 | 20 | 24 | 13 | 16 | | |
| 13 | 1/8 | 3/8 | 20 | 27 | 13 | 17 | | |
| 22 | 1/4 | 1/4 | 24 | 24 | 16 | 16 | | |
| 23 | 1/4 | 3/8 | 24 | 27 | 16 | 17 | | |
| 33 | 3/8 | 3/8 | 27 | 27 | 17 | 17 | | |
| 34 | 3/8 | 1/2 | 30 | 30 | 17 | 18 | | |
| 44 | 1/2 | 1/2 | 30 | 30 | 19 | 19 | | |
| 66 | 3/4 | 3/4 | 36 | 36 | 23 | 23 | | |

| Part Number | T | F | L ₁ | L ₂ | ℓ ₁ | ℓ ₂ | € Unit Price | |
|-------------|-----|-----|----------------|----------------|----------------|----------------|--------------|--------|
| | | | | | | | YCLPF | YCLPFS |
| 11F | 1/8 | 1/8 | 21 | 18 | 14 | 11 | | |
| 12F | 1/8 | 1/4 | 22 | 21 | 14 | 13 | | |
| 13F | 1/8 | 3/8 | 24 | 25 | 14 | 15 | | |
| 21F | 1/4 | 1/8 | 22 | 19 | 15 | 11 | | |
| 22F | 1/4 | 1/4 | 25 | 21 | 17 | 13 | | |
| 23F | 1/4 | 3/8 | 27 | 25 | 17 | 15 | | |
| 31F | 3/8 | 1/8 | 30 | 21 | 20 | 11 | | |
| 32F | 3/8 | 1/4 | 30 | 23 | 20 | 13 | | |
| 33F | 3/8 | 3/8 | 30 | 25 | 20 | 15 | | |
| 34F | 3/8 | 1/2 | 32 | 30 | 20 | 18 | | |
| 44F | 1/2 | 1/2 | 36 | 30 | 24 | 18 | | |
| 46F | 1/2 | 3/4 | 38 | 34 | 24 | 20 | | |
| 64F | 3/4 | 1/2 | 42 | 32 | 28 | 18 | | |
| 66F | 3/4 | 3/4 | 43 | 35 | 28 | 20 | | |

| Part Number | T | F | L ₁ | L ₂ | ℓ ₁ | ℓ ₂ | € Unit Price | |
|-------------|-----|-----|----------------|----------------|----------------|----------------|--------------|--------|
| | | | | | | | YCLPFP | YCLPFS |
| 11F | 1/8 | 1/8 | 21 | 20 | 14 | 13 | | |
| 12F | 1/8 | 1/4 | 22 | 24 | 14 | 16 | | |
| 21F | 1/4 | 1/8 | 22 | 21 | 15 | 13 | | |
| 22F | 1/4 | 1/4 | 25 | 24 | 17 | 16 | | |
| 23F | 1/4 | 3/8 | 27 | 27.5 | 17 | 17.5 | | |
| 32F | 3/8 | 1/4 | 30 | 26 | 20 | 16 | | |
| 33F | 3/8 | 3/8 | 30 | 27.5 | 20 | 17.5 | | |
| 34F | 3/8 | 1/2 | 32 | 32 | 20 | 20 | | |
| 44F | 1/2 | 1/2 | 36 | 32 | 24 | 20 | | |
| 46F | 1/2 | 3/4 | 38 | 36 | 24 | 22 | | |
| 64F | 3/4 | 1/2 | 42 | 34 | 28 | 20 | | |
| 66F | 3/4 | 3/4 | 43 | 37 | 28 | 22 | | |

| Part Number | T | F | L ₁ | L ₂ | ℓ ₁ | € Unit Price | |
|-------------|-----|-----|----------------|----------------|----------------|--------------|--------|
| | | | | | | YCLPFG | YCLPFS |
| 22F | 1/4 | 1/4 | 25 | 28 | 17 | | |
| 33F | 3/8 | 3/8 | 30 | 33 | 20 | | |

Specifications Applicable Fluid Oil, Water
Normal Operating Pressure 20.6MPa (210kgf/cm² or less)

| Price | Volume Discount (Round down to one Cent.) P87 | | |
|-------|---|-------|--------------|
| | Quantity | Rate | € Unit Price |
| | 1-9 | 10-19 | 20-29 |
| | 5% | 10% | |

For orders larger than indicated quantity, please request a quotation.

Order Example Part Number YCLPT11

Days to Ship 6 Days P87

Hydraulic Fittings

-Swivel Elbow Type-

CAD Data

| | | RoHS | | | | | | | | | | | | | | |
|--|--------------------|---------------------|--|------------|---------------------|---------------------------|------|---------------|--------------------|--|-------|--------------------|---|------|--------------------|---|
| | | | | | | | | | | | | | | | | |
| <table border="1"> <thead> <tr> <th>Type</th> <th>M Material</th> <th>S Surface Treatment</th> <th>Normal Operating Pressure</th> </tr> </thead> <tbody> <tr> <td>KCLP</td> <td>1.0038/S235JR</td> <td>Trivalent Chromate</td> <td rowspan="3">20.6MPa = 210kgf/cm² or less</td> </tr> <tr> <td>SKCLP</td> <td>1.4301/XSCRNI18-10</td> <td>-</td> </tr> <tr> <td>SKCR</td> <td>1.4301/XSCRNI18-10</td> <td>-</td> </tr> </tbody> </table> | | | Type | M Material | S Surface Treatment | Normal Operating Pressure | KCLP | 1.0038/S235JR | Trivalent Chromate | 20.6MPa = 210kgf/cm ² or less | SKCLP | 1.4301/XSCRNI18-10 | - | SKCR | 1.4301/XSCRNI18-10 | - |
| Type | M Material | S Surface Treatment | Normal Operating Pressure | | | | | | | | | | | | | |
| KCLP | 1.0038/S235JR | Trivalent Chromate | 20.6MPa = 210kgf/cm ² or less | | | | | | | | | | | | | |
| SKCLP | 1.4301/XSCRNI18-10 | - | | | | | | | | | | | | | | |
| SKCR | 1.4301/XSCRNI18-10 | - | | | | | | | | | | | | | | |

| Part Number | T | F | L | ℓ ₁ | ℓ ₂ | C | E | B | KCLPFP | | SKCLPFP | |
|-------------|-----|-----|----|----------------|----------------|----|----|----|--------------|-----------------|--------------|-----------------|
| | | | | | | | | | € Unit Price | Volume Discount | € Unit Price | Volume Discount |
| 2 | 1/4 | 1/4 | 52 | 13 | 16 | 24 | 14 | 19 | | | | |
| 3 | 3/8 | 3/8 | 57 | 15 | 18 | 28 | 20 | 22 | | | | |
| 4 | 1/2 | 1/2 | 66 | 18 | 20 | 32 | 24 | 27 | | | | |

| Part Number | T | F | L | ℓ ₁ | B | ℓ ₂ | E | € Unit Price | Volume Discount |
|-------------|-----|-----|----|----------------|----|----------------|----|--------------|-----------------|
| | | | | | | | | | |
| 2 | 1/4 | 1/4 | 68 | 13 | 8 | 16 | 19 | | |
| 3 | 3/8 | 3/8 | 72 | 15 | 8 | 18 | 22 | | |
| 4 | 1/2 | 1/2 | 84 | 18 | 10 | 20 | 27 | | |

| Part Number | T | F | L | ℓ ₁ | ℓ ₂ | C | E | B | KCLPF | | SKCLPF | |
|-------------|-----|-----|----|----------------|----------------|----|----|----|--------------|-----------------|--------------|-----------------|
| | | | | | | | | | € Unit Price | Volume Discount | € Unit Price | Volume Discount |
| 2 | 1/4 | 1/4 | 52 | 13 | 13 | 21 | 14 | 19 | | | | |
| 3 | 3/8 | 3/8 | 57 | 15 | 14 | 24 | 20 | 22 | | | | |
| 4 | 1/2 | 1/2 | 66 | 18 | 17 | 29 | 24 | 27 | | | | |

| Part Number | T | F | L | ℓ ₁ | B | ℓ ₂ | E | € Unit Price | Volume Discount |
|-------------|-----|-----|----|----------------|----|----------------|----|--------------|-----------------|
| | | | | | | | | | |
| 2 | 1/4 | 1/4 | 68 | 13 | 8 | 13 | 19 | | |
| 3 | 3/8 | 3/8 | 72 | 15 | 8 | 15 | 22 | | |
| 4 | 1/2 | 1/2 | 82 | 18 | 10 | 18 | 27 | | |

| Part Number | T ₁ | T ₂ | L | ℓ ₁ | ℓ ₂ | E | B | KCLPT | | SKCLPT | |
|-------------|----------------|----------------|----|----------------|----------------|----|----|--------------|-----------------|--------------|-----------------|
| | | | | | | | | € Unit Price | Volume Discount | € Unit Price | Volume Discount |
| 2 | 1/4 | 1/4 | 53 | 13 | 18 | 19 | 19 | | | | |
| 3 | 3/8 | 3/8 | 59 | 15 | 18 | 23 | 22 | | | | |
| 4 | 1/2 | 1/2 | 69 | 18 | 26 | 30 | 27 | | | | |

| Part Number | T ₁ | T ₂ | L | A | ℓ ₁ | C | E | € Unit Price | Volume Discount |
|-------------|----------------|----------------|----|----|----------------|----|----|--------------|-----------------|
| | | | | | | | | | |
| 2 | 1/4 | 1/4 | 61 | 39 | 13 | 17 | 19 | | |
| 3 | 3/8 | 3/8 | 66 | 41 | 15 | 19 | 22 | | |
| 4 | 1/2 | 1/2 | 76 | 48 | 18 | 22 | 27 | | |

For orders larger than indicated quantity, please request a quotation.

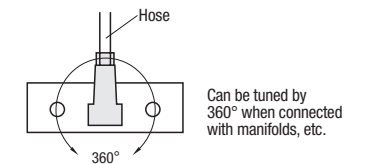
Order Example Part Number KCLPFP4

Days to Ship 8 Days

Express A 3,00 EUR/ piece P87

A Express Charge of 8,10 EUR for 3 or more identical pieces.

Example



Resin Hose

-Overview-

Selection Table of Resin Hoses for Food

| Type | | HOFW_ | HOGFW_ | HOSSW_ | SNHT_ | HOSPW_ / SNHRW_ | SNHB_ |
|--------------------------------------|-----------------------------|-----------------------------------|----------------------------|--------------------------------|--|---|--|
| | | Hoses for Food Standard Type | Hoses for Food Vacuum Type | Silicone Hose Standard Type | Silicone Hose Vacuum Type | Non-PVC Hoses Standard Type | Non-PVC Hoses Vacuum Type |
| | | P.1181 | P.1181 | P.1182 | P.1182 | P.1183 | P.1183 |
| Material | Main Material Reinforcement | Polyvinyl Chloride Polyester Yarn | Polyvinyl Chloride PET | Silicone Rubber Polyester Yarn | Silicone Rubber Polyester Yarn +1.4301 | Polyolefin+Styrene Resin Polyester Yarn | Polyolefin+Styrene Resin Hard Steel Wire |
| Inner Diameter (mm) | | 6~50 | 15~50.8 | 6.3~50.8 | 25.4~50.8 | 6~50 | 25~50 |
| Max Operation Temperature Range (°C) | | -5~70 | -5~70 | -30~150 | -30~150 | -5~60 | -5~60 |
| Max. Operating Pressure (Mpa) | | 0.3~1.0 | 0.2~0.4 | 0.3~1.0 | 0.3~0.7 | 0.2~1.0 | 0.1~0.3 |
| Suction | | X | ○ (-0.1MPa) | X | ○ (-0.1MPa) | X | ○ (-0.1MPa) |
| Transparency | | ○ | ○ | △ | △ | △ | △ |
| Flexibility | | ○ | ○ | ○ | ○ | X | X |

| Type | | HOJFR_ | HOJSR_ | HOEFR_ |
|--------------------------------------|-----------------------------|---|--------------------------------------|--|
| | | Fluororesin Hoses Reinforcing Type P.1184 | Fluororesin Hoses Spring Type P.1184 | Fluororesin Hoses Conductive Type P.1184 |
| Material | Main Material Reinforcement | Fluorine Resin Polyester Yarn | Fluorine Resin Spring Wire | Fluorine Resin Polyester Yarn |
| Inner Diameter (mm) | | 9~25 | 12~25 | 12~25 |
| Max Operation Temperature Range (°C) | | -20~70 | -20~70 | -5~70 |
| Max. Operating Pressure (Mpa) | | 0.3~1.0 | 0.2~0.5 | 0.3~1.0 |
| Suction | | X | ○ (-0.1MPa) | X |
| Transparency | | ○ | ○ | ○ |
| Flexibility | | ○ | ○ | ○ |

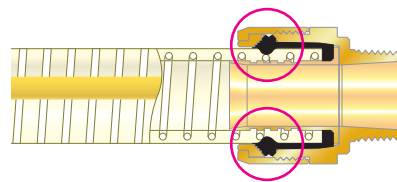
[Cautions]

Scent and taste may generate as a result of reaction with the hose itself or with the fluids (water, food, detergent etc.) during or after operation. Check these factors before use.

Hoses including PVC material may generate dioxin during combustion under 800°C.

When using PVC hose with high concentration alcohol, hose may harden quicker.

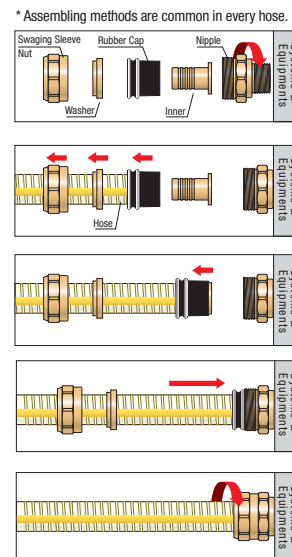
Features of Hose Fixing Connector



*Rubber cap inside the joint holds the circumference. Rubber gasket continues to hold the hose even if hose thins and prevents fluid from leaking and hose from falling off.

How to Insert Connector

- 1 Attach a nipple on the machine side.
- 2 Insert a domed nut and a washer into hose (make sure to insert toward right direction) and put a rubber cap (until it touches the end of rubber cap).
- 3 Insert inner into hose.
- 4 Insert the hose including rubber cap into the main body.
- 5 Tighten the domed nut until there is no clearance.



- △ For tightening, use a wrench (adjustable wrench). Do not use a "pipe wrench". It may cause damage the nut. For reuse, replacement of rubber cap will be required.

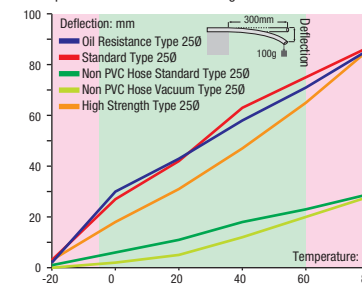
Selection Table of Resin Hoses for Ordinary Purposes

| Type | | HOTR_ | HOTRS_ | HOTG_ | HOTSG_ |
|----------|--------------------------------------|-----------------------------------|-----------------------------------|------------------------|-----------------------------------|
| | | Standard Type | Oil-proof Type | High Strength | High Pressure Type |
| | | P.1185 | P.1185 | P.1185 | P.1185 |
| Material | Main Material Reinforcement | Polyvinyl Chloride Polyester Yarn | Polyvinyl Chloride Polyester Yarn | Polyvinyl Chloride PET | Polyvinyl Chloride Polyester Yarn |
| | Inner Diameter (mm) | 9~25 | 9.5~25 | 9~25.4 | 9~25 |
| | Max Operation Temperature Range (°C) | -5~60 | -5~60 | -5~60 | -5~60 |
| | Max. Operating Pressure (Mpa) | 0.6~1.0 | 0.6~1.0 | 0.4~0.8 | 1.0~1.5 |
| | Flexibility | ★★★★★ | ★★★★★ | ★★★ | ★★★ |
| | Transparency | ★★★★★ | ★★★★★ | ★★★★★ | ★★★ |
| | Oil Resistance | ★★★★★ | ★★★★★ | ★★★★★ | ★★★★★ |
| | Property of Withstanding Pressure | ★★★★★ | ★★★★★ | ★★★ | ★★★★★ |
| | Crush Strength | ★★ | ★★ | ★★★★★ | ★★ |
| | Vacuum Strength | | | ★★★★★ | |
| | Lightness | ★★★★★ | ★★★★★ | ★★★ | ★★★★★ |

Comparison Graph for Performance of Resin Hoses for Ordinary Purpose

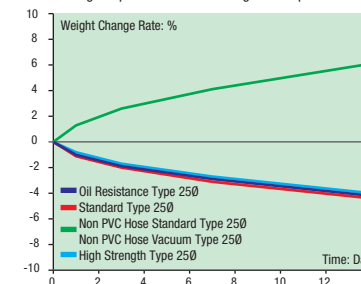
Flexibility

Measurement: Measures deflection of sample hose with 300mm protrusion after loaded with 100g load.



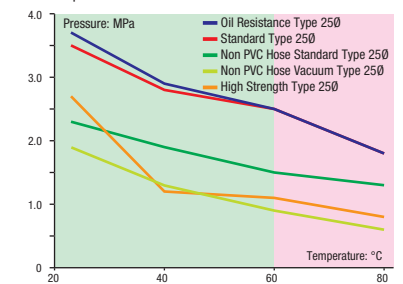
Oil Resistance

Measurement: Conforms to JIS6723. Soaking Temperature: 40°C Soaking Oil: Compressor Oil



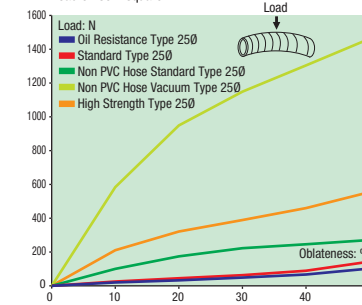
Property of Withstanding Pressure

Measurement: Measures after putting sample for 30 minutes under each temperature condition.



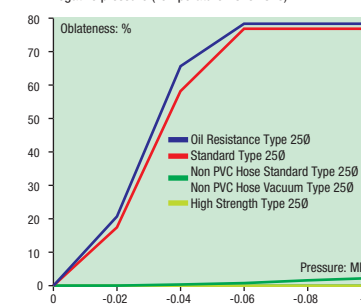
Crush Strength

Measurement: Measures variation rate of outer diameter when providing load on 5cm square.



Vacuum Strength

Measurement: Measure after keeping samples for 5 minutes under each negative pressure (Temperature 23°C±3°C)



*-0.1MPa is an approximate value. It may be not applicable depending on application and conditions.



Hoses for Food

-Standard / Vacuum-

Hoses for Food



RoHS

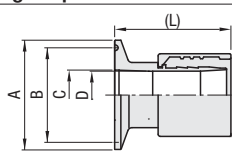
| Type | | | Material | | |
|-----------|----------------|------------------|--------------------|----------------|---|
| Hose Only | One End Swaged | Both Ends Swaged | Main Material | Reinforcement | Swaging Parts |
| HOFW | HOFWK | HOFWR | Polyvinyl Chloride | Polyester Yarn | Joint Nipples: 1.4404/X2CrNiMo17-12-2 Joint Covers: 1.4301/X5CrNi18-10 |
| HOGFW | HOGFWK | HOGFWR | Polyvinyl Chloride | PET | |

| Hose Body | | Hose Length | |
|-----------|--------------------------|-------------|--|
| | HOFW (Standard Type) | | |
| | HOFWK (One End Swaged) | | |
| | HOFWR (Both Ends Swaged) | | |

| Structure | | PVC | | PVC | |
|-----------|----------------------|-----|--|-----|--|
| | HOFW (Standard Type) | | | | |
| | HOGFW (Vacuum Type) | | | | |

Swage Fitting Shapes

CShape



| Hose Nominal Inner Dia. | C Shape | | | | |
|-------------------------|---------|------|------|------|------|
| | A | B | C | D | (L) |
| 1S | 50.5 | 43.5 | 23.0 | 21.0 | 56.0 |
| 1.5S | 50.5 | 43.5 | 35.7 | 33.0 | 73.0 |
| 2S | 64.0 | 56.5 | 47.8 | 45.0 | 75.0 |

Hose Specifications

| No. | HOFW HOFWK | | | | | Operation Temperature Range °C |
|------|---------------------|---------------------|----------------|--------------------------|------------------------|--------------------------------|
| | Inner Diameter (mm) | Outer Diameter (mm) | Thickness (mm) | Min. Bending Radius (mm) | Operating Pressure MPa | |
| 6 | 6 | 11 | 2.5 | 30 | 0~1.0 | -5~70 |
| 9 | 9 | 15 | 3 | 45 | 0~1.0 | |
| 12 | 12 | 18 | 3 | 65 | 0~0.8 | |
| 15 | 15 | 22 | 3.5 | 95 | 0~0.8 | |
| 19 | 19 | 26 | 3.5 | 120 | 0~0.6 | |
| 1S | 25 | 33 | 4 | 165 | 0~0.6 | |
| 1.5S | 38 | 48 | 5 | 300 | 0~0.4 | |
| 2S | 50 | 62 | 6 | 440 | 0~0.3 | |

| No. | HOGFW HOGFW | | | | | Operation Temperature Range °C |
|------|---------------------|---------------------|----------------|--------------------------|------------------------|--------------------------------|
| | Inner Diameter (mm) | Outer Diameter (mm) | Thickness (mm) | Min. Bending Radius (mm) | Operating Pressure MPa | |
| 15 | 15 | 22 | 3.5 | 60 | -0.1~0.4 | -5~70 |
| 19 | 19 | 26 | 3.5 | 80 | -0.1~0.4 | |
| 1S | 25.4 | 33.4 | 4 | 100 | -0.1~0.4 | |
| 1.5S | 38 | 48 | 5 | 150 | -0.1~0.3 | |
| 2S | 50.8 | 62.8 | 6 | 200 | -0.1~0.3 | |
| | | | | | -0.1~0.2 | |

| Part Number | Hose Length | L | R | € Unit Price | | |
|---------------------------|-------------------------|----------------|-----------------|------------------------|-------------------------------|------------------|
| | | | | € Unit Price of Hose/m | Additional Charge for Swaging | |
| Type | Hose Nominal Inner Dia. | 0.1m Increment | Left End Swaged | Right End Swaged | One End Swaged | Both Ends Swaged |
| HOFW (Hose Only) | 6 | 0.5~100.0 | - | - | | |
| | 9 | | | | | |
| | 12 | | | | | |
| | 15 | | | | | |
| | 19 | | | | | |
| HOFWK (One End Swaged) | 1S | 0.5~50.0 | - | - | | |
| | 1.5S | | | | | |
| | 2S | | | | | |
| | | | | | | |
| HOFWR (Both Ends Swaged) | 1S | 0.6~50.0 | LC | RC | | |
| | 1.5S | | | | | |
| | 2S | | | | | |
| HOGFW (Hose Only) | 15 | 0.5~50.0 | - | - | | |
| | 19 | | | | | |
| | | | | | | |
| HOGFWK (One End Swaged) | 1S | 0.6~50.0 | - | - | | |
| | 1.5S | | | | | |
| HOGFWR (Both Ends Swaged) | 1S | 0.6~40.0 | LC | RC | | |
| | 1.5S | | | | | |

Order Example

Part Number - Hose Length - Shape L - Shape R

HOFW6 - 1.5
HOFWK1.5S - 2.0 - LC - RC
HOFWR2S - 1.0 - LC - RC

Days to Ship

8 Days Express A 8,00 EUR/ piece P88

A Express Charge of 21,60 EUR for 3 or more identical pieces.

Price

Volume Discount (Round down to one Cent.) P87

| Quantity | 1~4 | 5~9 |
|----------|--------------|-----|
| Rate | € Unit Price | 5% |

For orders larger than indicated quantity, please request a quotation.

Volume discount rate is applicable to the unit price/m for hose only.

<Price Calculation Example>
For HOFWR1S-2.5-LC-RC,
€ Unit Price of Hose/m: 14,00
14,00x2.5+305,20=340,20
By rounding it down to the nearest ten Cent, it is 340,20 EUR



Silicone Hose

-Standard / Vacuum-

Price Reduction
Up to 39%

Silicone Hose



RoHS

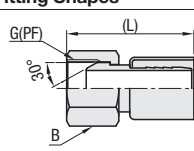
| Type | | | Material | | |
|-----------|----------------|------------------|-----------------|--|--|
| Hose Only | One End Swaged | Both Ends Swaged | Main Material | Reinforcement | Swaging Parts |
| HOSSW | HOSSWK | HOSSWR | Silicone Rubber | Polyester Yarn | Shape A - B Joint Nipples: 1.4301/X5CrNi18-10 Joint Covers: Aluminum |
| SNHT | SNHTK | SNHTR | Silicone Rubber | Polyester Yarn+1.4301/X5CrNi18-10 Coil | C Shape Joint Nipples: 1.4404/X2CrNiMo17-12-2 Joint Covers: 1.4301/X5CrNi18-10 |

| Hose Body | | Hose Length | |
|-----------|---------------------------|-------------|--|
| | HOSSW (Standard Type) | | |
| | HOSSWK (One End Swaged) | | |
| | HOSSWR (Both Ends Swaged) | | |

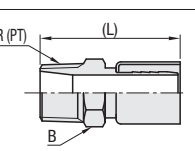
| Structure | | Silicone Rubber | | Silicone Rubber | |
|-----------|-----------------------|-----------------|--|-----------------|--|
| | HOSSW (Standard Type) | | | | |
| | SNHT (Vacuum Type) | | | | |

Swage Fitting Shapes

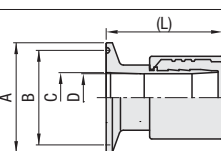
AShape



BShape



CShape



Swage Fitting Shapes

| Hose Nominal Inner Dia. | R (PT) G (PF) | A Shape | | B Shape | |
|-------------------------|------------------|------------------------|-----|------------------------|-----|
| | | B (Width Across Flats) | (L) | B (Width Across Flats) | (L) |
| 6 | 1/4 | 14 | 43 | 17 | 37 |
| 9 | 3/8 | 17 | 47 | 19 | 43 |
| 12 | 1/2 | 22 | 53 | 24 | 49 |
| 19 | 3/4 | 27 | 65 | 30 | 59 |

| Hose Nominal Inner Dia. | C Shape | | | | |
|-------------------------|---------|------|------|----|-----|
| | A | B | C | D | (L) |
| 1S | 50.5 | 43.5 | 23 | 22 | 56 |
| 1.5S | 50.5 | 43.5 | 35.7 | 34 | 73 |
| 2S | 64 | 56.5 | 47.8 | 46 | 75 |

Hose Specifications

| No. | HOSSW HOSSWK | | | | | Operation Temperature Range |
|------|---------------------|---------------------|----------------|--------------------------|------------------------|-----------------------------|
| | Inner Diameter (mm) | Outer Diameter (mm) | Thickness (mm) | Min. Bending Radius (mm) | Operating Pressure MPa | |
| 6 | 6.3 | 12.3 | 3 | 80 | 0~1.0 | -30~150 |
| 9 | 9.5 | 16 | 3.25 | 100 | 0~1.0 | |
| 12 | 12.7 | 19.5 | 3.4 | 130 | 0~0.5 | |
| 19 | 19.0 | 28 | 4.5 | 180 | 0~0.5 | |
| 1S | 25.4 | 35.5 | 5.05 | 220 | 0~0.5 | |
| 1.5S | 38.1 | 50.5 | 6.2 | 310 | 0~0.5 | |
| 2S | 50.8 | 64.5 | 6.85 | 550 | 0~0.3 | |

| No. | SNHT SNHTK | | | | | Operation Temperature Range |
|------|---------------------|---------------------|----------------|--------------------------|------------------------|-----------------------------|
| | Inner Diameter (mm) | Outer Diameter (mm) | Thickness (mm) | Min. Bending Radius (mm) | Operating Pressure MPa | |
| 1S | 25.4 | 35.5 | 5.05 | 180 | -0.1~0.7 | -30~150 |
| 1.5S | 38.1 | 50.5 | 6.2 | 280 | -0.1~0.7 | |
| 2S | 50.8 | 64.5 | 6.85 | 390 | -0.1~0.3 | |

| Part Number | Hose Length | L | R | € Unit Price | | |
|---------------------------|-------------------------|----------------|-----------------|------------------------|--------------------------------|------------------|
| | | | | € Unit Price of Hose/m | Additional Charge for Caulking | |
| Type | Hose Nominal Inner Dia. | 0.1m Increment | Left End Swaged | Right End Swaged | One End Swaged | Both Ends Swaged |
| HOSSW (Hose Only) | 6 | 0.3~20.0 | LA | RA | | |
| | 9 | | | | | |
| | 12 | | | | | |
| | 19 | | | | | |
| | | | | | | |
| HOSSWK (One End Swaged) | 1S | 0.3~10.0 | LB | RB | | |
| | 1.5S | | | | | |
| | 2S | | | | | |
| | | | | | | |
| HOSSWR (Both Ends Swaged) | 1S | 0.6~5.0 | LC | RC | | |
| | 1.5S | | | | | |
| | 2S | | | | | |
| SNHT (Hose Only) | 1S | 0.6~5.0 | LC | RC | | |
| | 1.5S | | | | | |
| | 2S | | | | | |

Order Example

Part Number - Hose Length - Shape L - Shape R

HOSSW6 - 1.5
HOSSWK1.5S - 2.0 - LC - RC
SNHTR2S - 1.0 - LC - RC

Days to Ship

8 Days Express A 8,00 EUR/ piece P88

A Express Charge of 21,60 EUR for 3 or more identical pieces.

Price

Volume Discount (Round down to one Cent.) P87

| Quantity | 1~4 | 5~9 |
|----------|--------------|-----|
| Rate | € Unit Price | 5% |

For orders larger than indicated quantity, please request a quotation.

Volume discount rate is applicable to the unit price/m for hose only.

<Price Calculation Example>
For HOSSWR12-2.5-LA-RB
€ Unit Price of Hose/m: 22,90
22,90x2.5+93,40=150,65
By rounding it down to the nearest ten Cent, it is 150,60 EUR

Feature of HOSSW

- The spirally knitted pressure-resistant reinforcement wire prevents burst due to wire failure near couplings.
- Semi-transparent wall enabling the transfer of materials to be observed
- Excellent in cold resistance and heat resistance.
- Conforms to Food Sanitation Laws.
- FDA compliant.

Features of SNHT

- Provides high level of deformation resistance to enable force-feed and vacuum.
- Semi-transparent wall enabling the transfer of materials to be observed
- Excellent in cold resistance and heat resistance.
- Conforms to Food Sanitation Laws.
- FDA compliant.

CAUTION

- Avoid use with non-polar organic solvents (benzene, toluene, hexane etc.), halogenated hydrocarbon (methylene chloride, trichloroethane etc.), strongly acid condensed agent, strong alkali solution, mineral oil, steam (long-time use) or animal and vegetable oil at 70 °C or warmer.
- Cleanse inside the hose before using with drinking water or food.
- For food plumbing, metal shape C is recommended for its safety in sanitary resistance.
- At steam cleansing, apply saturated steam at 0.2MPa or lower for a short time.
- Do not soak hoses or joints in drinking water, food, or fluids.
- Fluid may remain behind the joint and unwanted bacteria may adhere to it.



Non-PVC Hoses

-Standard / Vacuum-

Price Reduction

Up to 46%

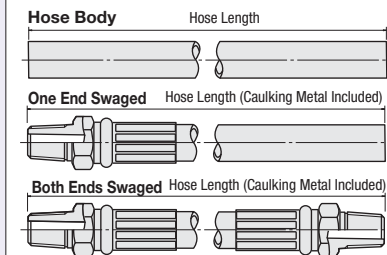


Fluororesin Hoses

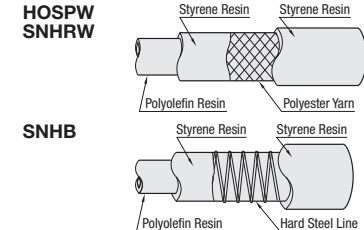
-High-Flex Type / Conductive Type-

Non-PVC Hoses

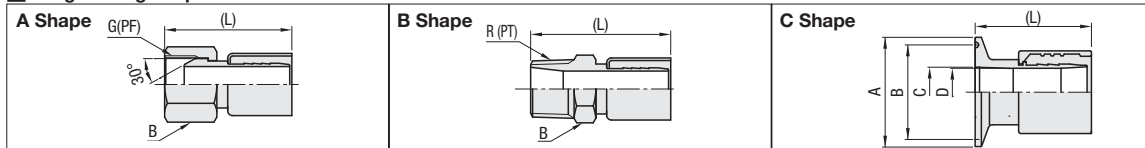
| Type | | | Material | | |
|--------------|----------------|------------------|--------------------------|-----------------|---|
| Hose Only | One End Swaged | Both Ends Swaged | Main Material | Reinforcement | Swaging Parts |
| HOSPW | HOSPWK | HOSPWR | Polyolefin+Styrene Resin | Polyester Yarn | Shape A, B C Shape |
| SNHRW | SNHRWK | SNHRWR | Polyolefin+Styrene Resin | Polyester Yarn | Joint Nipples : 1.4404/X2CrNiMo17-12-2 Joint Covers : 1.4301/X5CrNi18-10 |
| SNHB | SNHBK | SNHBR | Polyolefin+Styrene Resin | Hard Steel Wire | Joint Nipples : 1.4404/X2CrNiMo17-12-2 Joint Covers : 1.4301/X5CrNi18-10 |



Structure



Swage Fitting Shapes



Swage Fitting Shapes

| Hose Nominal Inner Dia. | R (PT) | A Shape | | B Shape | | C Shape | | | | | |
|-------------------------|--------|---------|----------------------------|----------------------------|----|---------|---|---|---|--|--|
| | | G (PF) | B (Width Across Flats) (L) | B (Width Across Flats) (L) | A | B | C | D | L | | |
| 6 | 1/4 | | 14 | 43 | 17 | 37 | | | | | |
| 9 | 3/8 | | 17 | 47 | 19 | 43 | | | | | |
| 12 | 1/2 | | 22 | 53 | 24 | 49 | | | | | |
| 19 | 3/4 | | 27 | 65 | 30 | 59 | | | | | |

Hose Specifications

| No. | Inner Diameter (mm) | Outer Diameter (mm) | Thickness (mm) | Min. Bending Radius (mm) | Operating Pressure Mpa | | Operation Temperature Range |
|------|---------------------|---------------------|----------------|--------------------------|------------------------|-------|-----------------------------|
| | | | | | 23°C | 60°C | |
| 6 | 6 | 11 | 2.5 | 25 | 0-1.0 | 0-0.5 | -5~60°C |
| 9 | 9 | 15 | 3 | 50 | 0-0.8 | 0-0.5 | |
| 12 | 12 | 18 | 3 | 70 | 0-0.8 | 0-0.4 | |
| 19 | 19 | 26 | 3.5 | 130 | 0-0.8 | 0-0.4 | |
| 1S | 25 | 33 | 4 | 170 | 0-0.5 | 0-0.3 | |
| 1.5S | 38 | 48 | 5 | 230 | 0-0.4 | 0-0.2 | |
| 2S | 50 | 62 | 6 | 290 | 0-0.3 | 0-0.2 | |

| Part Number | Type | Hose Nominal Inner Dia. | Hose Length 0.1m Increment | L Left End Swaged | R Right End Swaged | € Unit Price | |
|---------------|--------------------|-------------------------|----------------------------|-------------------|--------------------|------------------------|-------------------------------|
| | | | | | | € Unit Price of Hose/m | Additional Charge for Swaging |
| HOSPW | (Hose Only) | 6 | 0.3-20.0 | LA | RA | | |
| HOSPWK | (One End Swaged) | 9 | | LB | RB | | |
| HOSPWR | (Both Ends Swaged) | 12 | | | | | |
| | | 19 | | | | | |
| SNHRW | (Hose Only) | 1S | 0.5-5.0 | LC | RC | | |
| SNHRWK | (One End Swaged) | 1.5S | | | | | |
| SNHRWR | (Both Ends Swaged) | 2S | | | | | |
| SNHB | (Hose Only) | 1S | 0.5-5.0 | LC | RC | | |
| SNHBK | (One End Swaged) | 1.5S | | | | | |
| SNHBR | (Both Ends Swaged) | 2S | | | | | |

Order Example

| | | | | | | |
|-------------|---|-------------|---|---------|---|---------|
| Part Number | - | Hose Length | - | Shape L | - | Shape R |
| HOSPW6 | - | 1.5 | - | LC | - | RC |
| SNHRWK1.5S | - | 2.0 | - | LC | - | RC |
| SNHBR2S | - | 1.0 | - | LC | - | RC |

Days to Ship

| | | | |
|--------|-----------|-----------------|------|
| 8 Days | Express A | 8,00 EUR/ piece | P.88 |
|--------|-----------|-----------------|------|

Price

| Quantity | 1-4 | 5-9 |
|----------|--------------|-----|
| Rate | € Unit Price | 5% |

For orders larger than indicated quantity, please request a quotation.
 Volume discount rate is applicable to the unit price/m for hose only.
 <Price Calculation Example>
 For HOSPW12-2.5-LA-RB
 € Unit Price of Hose/m: 5,10
 5,10x2.5+93,40=106,15
 By rounding it down to the nearest ten Cent, it is 106,10 EUR

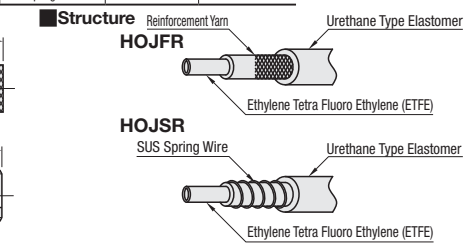
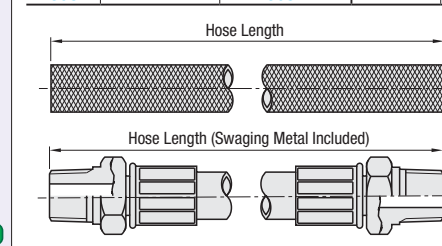
- Feature of HOSPW and SNHRW**
- Contains no chlorine ingredients.
 - Semi-transparent wall enabling the transfer of materials to be observed
 - Conforms to Food Sanitation Laws.
- Features of SNHB**
- Contains no chlorine ingredients.
 - Conforms to Food Sanitation Laws.
 - Reinforcement wire of hard steel provides high level of deformation resistance to enable vacuum.
- CAUTION**
- Do not use with fuel oils or solvents.
 - Cleanse inside the hose before using with drinking water or food.
 - For food plumbing, metal shape C is recommended for its safety in sanitary respect.
 - Hoses shown above are for indoors only.
 - Do not soak hoses or joints in drinking water, food or fluids. Fluid may remain behind the joint and unwanted bacteria may adhere to it.

Fluororesin Hoses

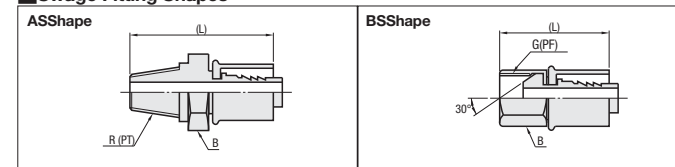
-High-Flex Type-



| Type | | | Material | | |
|--------------|----------------|------------------|----------------|----------------|---------------|
| Hose Only | One End Swaged | Both Ends Swaged | Hose Interior | Reinforcement | Hose Exterior |
| HOJFR | HOJFRK | HOJFRR | Fluorine Resin | Polyester Yarn | Urethane Yarn |
| HOJSR | - | HOJSRR | Fluorine Resin | Spring Wire | Elastomer |



Swage Fitting Shapes



| Part Number | Type | Hose Nominal Inner Dia. | Hose Length 0.1m Increment | L Left End Swaged | R Right End Swaged | € Unit Price | |
|--------------------|------|-------------------------|----------------------------|-------------------|--------------------|----------------|-------------------------------|
| | | | | | | € Unit Price/m | Additional Charge for Swaging |
| (Reinforcing Type) | | 9 | 0.3-20.0 | LAS | RAS | | |
| | | 12 | | | | | |
| | | 15 | | | | | |
| | | 19 | | | | | |
| | | 25 | | | | | |
| (Spring Type) | | 12 | 0.3-20.0 | LAS | RAS | | |
| | | 15 | | | | | |
| | | 19 | | | | | |
| | | 25 | | | | | |

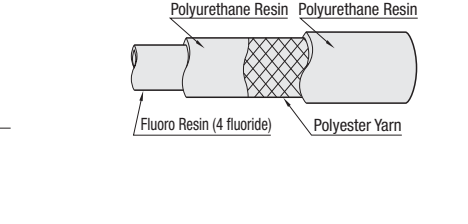
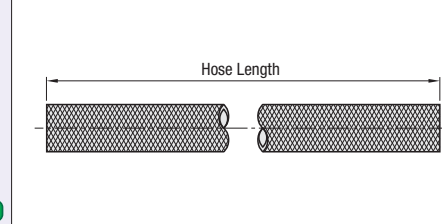
For One End Swaged, specify LAS and LBS. Swage part is not available for hose with inner diameter 15.

Fluororesin Hoses

-Inductive Type-



| Type | | | Material | | |
|--------------|---------------------------|----------------|--------------------|--|--|
| Hose Only | Hose Interior | Reinforcement | Hose Exterior | | |
| HOEFR | Fluoro Resin (4 fluoride) | Polyester Yarn | Polyurethane Resin | | |



| Part Number | Type | Hose Nominal Inner Dia. | Hose Length 0.1m Increment | € Unit Price | |
|--------------|------|-------------------------|----------------------------|----------------|-------------------------------|
| | | | | € Unit Price/m | Additional Charge for Swaging |
| HOEFR | | 12 | 0.5-20.0 | | |
| | | 15 | | | |
| | | 19 | | | |
| | | 25 | | | |

Order Example

| | | | | | | |
|-------------|---|-------------|---|---------|---|---------|
| Part Number | - | Hose Length | - | Shape L | - | Shape R |
| HOJFRK19 | - | 5.0 | - | LBS | - | RBS |
| HOJFRR9 | - | 2.0 | - | LAS | - | RBS |
| HOEFR12 | - | 10.0 | - | | - | |

Days to Ship

| | | | |
|--------|-----------|----------------|------|
| 8 Days | Express A | 3,00 EUR/piece | P.88 |
|--------|-----------|----------------|------|

Price

| Quantity | 1-4 | 5-9 |
|----------|--------------|-----|
| Rate | € Unit Price | 5% |

<Price Calculation Example>
 For HOJFR9-2.5-LAS-RBS,
 Hose m Price/m: 23,50 EUR
 23,50x2.5+22,00=80,75 EUR
 By rounding it down to the nearest ten Cent, it is 80,70 EUR

Hose Specifications

| Hose Nominal Inner Diameter mm | Hose Inner Diameter mm | Hose Outer Diameter mm | Min. Bending Radius mm | Operating Pressure Mpa | |
|--------------------------------|------------------------|------------------------|------------------------|------------------------|-------|
| | | | | 23°C | 70°C |
| 12 | 12 | 18 | 85 | | |
| 15 | 15 | 22 | 105 | 0-1.0 | 0-0.5 |
| 19 | 19 | 26 | 135 | | |
| 25 | 25 | 33 | 175 | 0-0.6 | 0-0.3 |

Features

- Prevents trouble caused by electrostatic discharge.
- Conforms to Food Sanitation Laws.
- Smooth interior surface helps transfer of high viscosity fluids efficiently, and makes cleaning easy with little residual fluids.

Specifications

| | |
|-----------------------------|--------------------------------------|
| Applicable Fluid | Water · Air · Oil · Solvent · Powder |
| Operation Temperature Range | -5 ~ 70°C |
| Normal Operating Pressure | Depends on size & temperature |



Resin Hoses for Ordinary Purposes

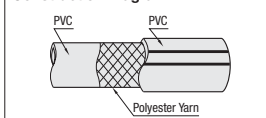


Hose Fixing Connector

Resin Hoses for Ordinary Purposes -Standard Type-



Construction Diagram



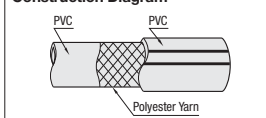
| Type | Hose Nominal Inner Dia. | Hose Length | | Inner Dia-meter (mm) | Outer Dia-meter (mm) | Operating Temp. Range | Operating Pressure MPa | Min. Bending Radius (mm) | Mass kg/m | Dimension Selectable Type | Configurable Length |
|----------------------------------|-------------------------|-------------------------------|---------------------------------------|----------------------|----------------------|-----------------------|------------------------|--------------------------|-----------|---------------------------|------------------------|
| | | Dimension Selectable Type (m) | Configurable Length (0.1mm Increment) | | | | | | | € Unit Price | € Unit Price of Hose/m |
| HOTR (Dimension Selectable Type) | 9 | 50 | 0.5-49.9 | 9 | 15 | -5~60 | 0~1.0 | 45 | 0.15 | 1 - 2 Coils | |
| | | 100 | | | | | | | | | |
| | | 150 | | | | | | | | | |
| HOTRL (Configurable Length) | 9 | 50 | 0.5-49.9 | 12 | 18 | -5~60 | 0~0.8 | 55 | 0.19 | 1 - 2 Coils | |
| | | 100 | | | | | | | | | |
| | | 150 | | | | | | | | | |
| | | 250 | | | | | | | | | |

For orders larger than indicated quantity, please request a quotation.

Resin Hoses for Ordinary Purposes -Oil-proof Type-



Construction Diagram



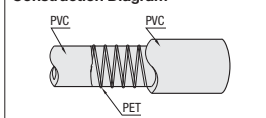
| Type | Hose Nominal Inner Dia. | Hose Length | | Inner Dia-meter (mm) | Outer Dia-meter (mm) | Operating Temp. Range | Operating Pressure MPa | Min. Bending Radius (mm) | Mass kg/m | Dimension Selectable Type | Configurable Length |
|-----------------------------------|-------------------------|-------------------------------|---------------------------------------|----------------------|----------------------|-----------------------|------------------------|--------------------------|-----------|---------------------------|------------------------|
| | | Dimension Selectable Type (m) | Configurable Length (0.1mm Increment) | | | | | | | € Unit Price | € Unit Price of Hose/m |
| HOTRS (Dimension Selectable Type) | 9 | 50 | 0.5-49.9 | 9.5 | 15 | -5~60 | 0~1.0 | 45 | 0.14 | 1 - 2 Coils | |
| | | 100 | | | | | | | | | |
| | | 150 | | | | | | | | | |
| HOTRSL (Configurable Length) | 9 | 50 | 0.5-49.9 | 12 | 17 | -5~60 | 0~0.8 | 60 | 0.15 | 1 - 2 Coils | |
| | | 100 | | | | | | | | | |
| | | 150 | | | | | | | | | |
| | | 250 | | | | | | | | | |

For orders larger than indicated quantity, please request a quotation.

Resin Hoses for Ordinary Purposes -High Strength-



Construction Diagram



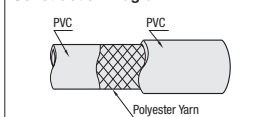
| Type | Hose Nominal Inner Dia. | Hose Length | | Inner Dia-meter (mm) | Outer Dia-meter (mm) | Operating Temp. Range | Operating Pressure MPa | Min. Bending Radius (mm) | Mass kg/m | Dimension Selectable Type | Configurable Length |
|----------------------------------|-------------------------|-------------------------------|---------------------------------------|----------------------|----------------------|-----------------------|------------------------|--------------------------|-----------|---------------------------|------------------------|
| | | Dimension Selectable Type (m) | Configurable Length (0.1mm Increment) | | | | | | | € Unit Price | € Unit Price of Hose/m |
| HOTG (Dimension Selectable Type) | 9 | 50 | 0.5-49.9 | 9 | 15 | -5~60 | -0.1~0.8 | 40 | 0.14 | 1 - 2 Coils | |
| | | 100 | | | | | | | | | |
| | | 150 | | | | | | | | | |
| HOTGL (Configurable Length) | 9 | 50 | 0.5-49.9 | 12 | 18 | -5~60 | -0.1~0.5 | 50 | 0.185 | 1 - 2 Coils | |
| | | 100 | | | | | | | | | |
| | | 150 | | | | | | | | | |
| | | 250 | | | | | | | | | |

For orders larger than indicated quantity, please request a quotation.

Resin Hoses for Ordinary Purposes -Withstanding Pressure Type-



Construction Diagram



| Type | Hose Nominal Inner Dia. | Hose Length | | Inner Dia-meter (mm) | Outer Dia-meter (mm) | Operating Temp. Range | Operating Pressure MPa | Min. Bending Radius (mm) | Mass kg/m | Dimension Selectable Type | Configurable Length |
|-----------------------------------|-------------------------|-------------------------------|---------------------------------------|----------------------|----------------------|-----------------------|------------------------|--------------------------|-----------|---------------------------|------------------------|
| | | Dimension Selectable Type (m) | Configurable Length (0.1mm Increment) | | | | | | | € Unit Price | € Unit Price of Hose/m |
| HOTSG (Dimension Selectable Type) | 9 | 50 | 0.5-49.9 | 9 | 15 | -5~60 | 0~1.5 | 45 | 0.15 | 1 - 2 Coils | |
| | | 100 | | | | | | | | | |
| | | 150 | | | | | | | | | |
| HOTSGL (Configurable Length) | 9 | 50 | 0.5-49.9 | 12 | 18 | -5~60 | 0~1.0 | 55 | 0.19 | 1 - 2 Coils | |
| | | 100 | | | | | | | | | |
| | | 150 | | | | | | | | | |
| | | 250 | | | | | | | | | |

For orders larger than indicated quantity, please request a quotation.



Part Number - Hose Length
HOTR9 - 100
HOTRSL19 - 45.9



8 Days Express A 8,00 EUR/ piece P. 88



Volume Discount (Round down to one Cent.) P. 87

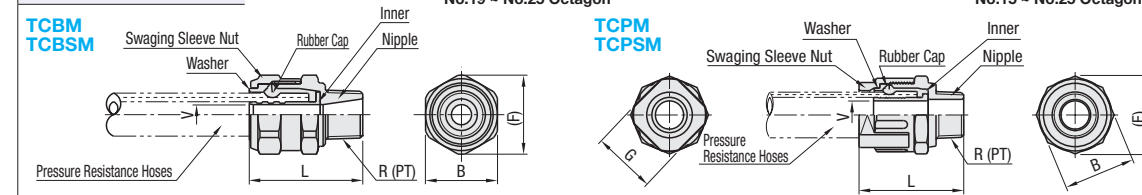
| Quantity | Rate | € Unit Price | 5% |
|----------|------|--------------|----|
| 1-4 | 5-9 | | |

For orders larger than indicated quantity, please request a quotation.

<Price Calculation Example>
For HOTRS12-11.5, € Unit Price of Hose/m: 2.70 EUR
2,70x11.5=31,05
By rounding it down to the nearest ten Cent, it is 31,00 EUR



| Type | Material | | | | | Applicable Hose |
|-------|----------|-------|------------|--------|--------------------|------------------------|
| | Nipple | Inner | Rubber Cap | Washer | Swaging Sleeve Nut | |
| TCBM | Brass | Brass | NBR | Brass | Brass | HOTR_ / HOTSG_ / HOTG_ |
| TCBSM | Brass | Brass | NBR | Brass | Brass | HOTRS_ |
| TCPM | POM | POM | NBR | POM | POM | HOTR_ / HOTSG_ / HOTG_ |
| TCPSM | POM | POM | NBR | POM | POM | HOTRS_ |



| Part Number | Type | No. | L | Hexagon · Octagon Diagonal Dims. B | V | (F) | G | R (PT) | Applicable Hose | € Unit Price | Volume Discount |
|-------------------|--------------------|-----|------|------------------------------------|------|-------|----|--------|---|--------------|-----------------|
| | | | | | | | | | | 1 - 2 Coils | 1 ~4 pieces |
| TCBM (Brass) | TCBSM (Brass) | 9 | 39.5 | 25 | 7 | 27.5 | - | R3/8 | (TCBM · TCPM) HOTR_ / HOTSG_ / HOTG_ | | |
| | | 12 | 45 | 29 | 9.9 | 31.9 | | R1/2 | | | |
| | | 15 | 47.5 | 34 | 12.3 | 37.4 | | R1/2 | | | |
| | | 19 | 52.5 | 40 | 17 | 42.4 | | R3/4 | | | |
| TCPM (Polyacetal) | TCPSM (Polyacetal) | 9 | 50 | 30 | 7 | 34.6 | 24 | R3/8 | (TCBSM · TCPSM) HOTRS_ | | |
| | | 12 | 57 | 32 | 9.6 | 36.9 | 27 | R1/2 | | | |
| | | 15 | 61.5 | 41 | 12.3 | 45.64 | 32 | R1/2 | | | |
| | | 19 | 68.5 | 42 | 17 | 45.64 | 37 | R3/4 | | | |
| | | 25 | 75.7 | 52 | 22.5 | 56.28 | 47 | R1 | | | |

For orders larger than indicated quantity, please request a quotation.



Part Number TCBM25



8 Days

Express A 5,00 EUR/ piece P. 88

A Express Charge of 13,50 EUR for 3 or more identical pieces.

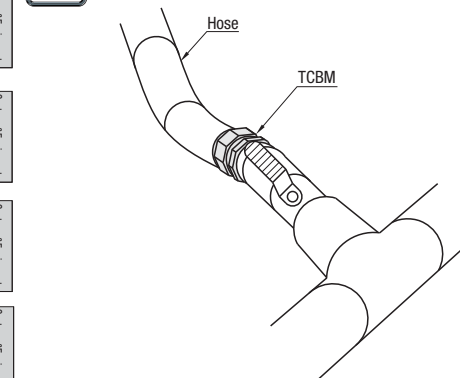
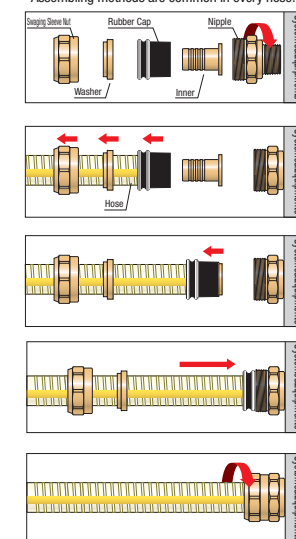
Features

- Environment-friendly
Wider effective sectional area compared to male hose nipple results in reduction of pressure loss.
- Enhanced working efficiency
No need of cumbersome retightening. Standardizes mounting operation of hoses.
- Improved maintainability
Prevents hoses from falling off and fluid from leaking.
- Safety Operation
Easy detachment of hose results in enhanced working efficiency. Can prevent twists.

How to Mount Fitting

- Attach a nipple on the machine side.
- Insert a Swaging Sleeve nut and a washer into hose (make sure to insert toward right direction) and put a rubber cap (until it touches the end of rubber cap).
- Insert inner into hose.
- Insert the hose including rubber cap into the main body.
- Tighten the domed nut until there is no clearance.

* Assembling methods are common in every hose.



For tightening, use a wrench (adjustable wrench).
Do not use a "pipe wrench". It may cause damage the nut.
For reuse, replacement of rubber cap will be required.



Fittings for Hoses



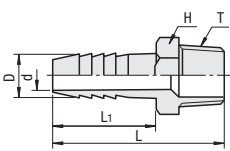
CAD Data

Male Nipples



RoHS

| Type | Material |
|-------|--------------------|
| HOSN | Brass |
| HOSNS | 1.4301/X5CrNi18-10 |



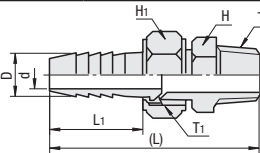
| Part Number | Applicable Hose Nominal Inner Dia. | T R (PT) | D | HOSN | | | | HOSNS | | | | HOSN | | HOSNS | |
|-------------|------------------------------------|----------|------|------|-----|-----|----|-------|----|-----|----|--------------|-----------------|--------------|-----------------|
| | | | | d | H | L | L1 | d | H | L | L1 | € Unit Price | Volume Discount | € Unit Price | Volume Discount |
| 61 | 6 | 1/8 | 7 | 4 | 12 | 34 | 20 | 4 | 12 | 36 | 20 | | | | |
| 62 | | 1/4 | | 4 | 14 | 41 | 26 | 4 | 14 | 42 | 24 | | | | |
| 63 | | 3/8 | | 4 | 17 | 46 | 29 | 4 | 17 | 44 | 25 | | | | |
| 64 | | 1/2 | | 3.5 | 22 | 50 | 29 | 4 | 22 | 49 | 27 | | | | |
| 628 | | 1/4 | | 8 | 4.5 | 14 | 41 | 26 | 5 | 14 | 42 | 24 | | | |
| 629 | 1/4 | 9 | 5 | 14 | 41 | 26 | 5 | 14 | 42 | 24 | | | | | |
| 91 | 9 | 1/8 | 10.5 | 6 | 12 | 34 | 20 | 6 | 12 | 36 | 20 | | | | |
| 92 | | 1/4 | | 7 | 14 | 41 | 26 | 6 | 14 | 42 | 24 | | | | |
| 93 | | 3/8 | | 7 | 17 | 46 | 29 | 6 | 17 | 44 | 25 | | | | |
| 94 | 1/2 | 6 | 22 | 50 | 29 | 7 | 22 | 49 | 27 | | | | | | |
| 12412 | 1/2 | 12 | 7.5 | 22 | 50 | 29 | 8 | 22 | 49 | 27 | | | | | |
| 122 | 12 | 1/4 | 14 | 9 | 14 | 41 | 26 | 8 | 17 | 42 | 24 | | | | |
| 123 | | 3/8 | | 10 | 17 | 46 | 29 | 9 | 17 | 44 | 25 | | | | |
| 124 | | 1/2 | | 10 | 22 | 50 | 29 | 11 | 22 | 49 | 27 | | | | |
| 153 | 15 | 3/8 | 16 | 11.5 | 17 | 46 | 29 | 11 | 17 | 44 | 25 | | | | |
| 154 | | 1/2 | | 11 | 22 | 50 | 29 | 12 | 22 | 49 | 27 | | | | |
| 19619 | 19 | 3/4 | 20.5 | 13 | 27 | 60 | 36 | 14 | 27 | 59 | 33 | | | | |
| 194 | | 1/2 | | 14 | 22 | 50 | 29 | 15 | 22 | 49 | 27 | | | | |
| 196 | | 3/4 | | 15 | 27 | 60 | 36 | 15 | 27 | 59 | 33 | | | | |
| 258 | 25 | 1 | 27 | 20 | 35 | 73 | 41 | 22 | 35 | 70 | 40 | | | | |
| 3812 | 38 | 1 1/2 | 40 | 30 | 51 | 100 | 61 | 31 | 52 | 92 | 53 | | | | |
| 5016 | 50 | 2 | 52 | 40 | 63 | 132 | 86 | 43 | 63 | 102 | 59 | | | | |

Joint Nipples



RoHS

| Type | Material |
|--------|--------------------|
| HOSJN | Brass |
| HOSJNS | 1.4301/X5CrNi18-10 |



| Part Number | Applicable Hose Nominal Inner Dia. | T R (PT) | D | T1 G (PF) | d | H | H1 | (L) | L1 | HOSJN | | HOSJNS | |
|-------------|------------------------------------|----------|------|------------|--------|----|--------|--------|----|--------------|-----------------|--------------|-----------------|
| | | | | | | | | | | € Unit Price | Volume Discount | € Unit Price | Volume Discount |
| 61 | 6 | 1/8 | 7.0 | 1/8 | 4.0 | 12 | 12 | 43 | 19 | | | | |
| 62 | | 1/4 | | 4.0 | 14 | 16 | 59 | 26 | | | | | |
| 63 | | 3/8 | | 4.0 | 17 | 16 | 60 | 26 | | | | | |
| 628 | | 1/4 | | 8 | 4.5 | 14 | 16 | 59 | 26 | | | | |
| 629 | | 1/4 | | 9 | 5 | 14 | 16 | 59 | 26 | | | | |
| 92 | 9 | 1/4 | 10.5 | 3/8 | 7.0 | 17 | 19 | 57 | 27 | | | | |
| 93 | | 3/8 | | 7.0(7.2) | 17 | 19 | 60(64) | 27(25) | | | | | |
| 94 | | 1/2 | | 7.0 | 22 | 19 | 63 | 27 | | | | | |
| 123 | 12 | 3/8 | 14.0 | 1/2 | 10.0 | 22 | 24 | 71 | 31 | | | | |
| 124 | | 1/2 | | 10.0(10.5) | 22 | 24 | 73(78) | 31(30) | | | | | |
| 126 | | 3/4 | | 10.0 | 28 | 24 | 77 | 31 | | | | | |
| 153 | 15 | 3/8 | 16 | 1/2 | 11.5 | 22 | 24 | 71 | 31 | | | | |
| 154 | | 1/2 | | 11.5 | 22 | 24 | 73 | 31 | | | | | |
| 194 | 19 | 1/2 | 20.5 | 3/4 | 15.0 | 28 | 30 | 78 | 35 | | | | |
| 196 | | 3/4 | | 15.0(15.5) | 28(27) | 30 | 82(90) | 35(39) | | | | | |

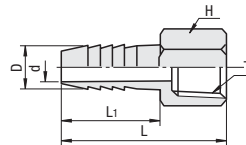
For orders larger than indicated quantity, please request a quotation.

Female Nipples



RoHS

| Type | Material |
|--------|--------------------|
| HOSFNS | 1.4301/X5CrNi18-10 |



| Part Number | Applicable Hose Nominal Inner Dia. | T R (PT) | D | d | H | L | L1 | € Unit Price | Volume Discount | | | |
|-------------|------------------------------------|----------|------|-----|----|----|----|--------------|-----------------|----|----|----|
| 62 | 6 | 1/4 | 7.0 | 4.0 | 17 | 45 | 26 | | | | | |
| 92 | | 1/4 | | | | | | | | 17 | 45 | 26 |
| 93 | 9 | 3/8 | 10.5 | 7.0 | 22 | 49 | 28 | | | | | |
| 94 | | 1/2 | | | | | | | | 24 | 54 | 29 |
| 123 | | 3/8 | | | | | | | | 22 | 49 | 28 |
| 124 | 1/2 | 14 | 10.0 | 24 | 54 | 29 | | | | | | |

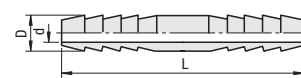
For orders larger than indicated quantity, please request a quotation.

Bamboo Shoot Joints



RoHS

| Type | Material |
|--------|--------------------|
| HOSJJS | 1.4301/X5CrNi18-10 |



| Part Number | Applicable Hose Nominal Inner Dia. | D | d | L | € Unit Price | Volume Discount |
|-------------|------------------------------------|------|------|----|--------------|-----------------|
| 6 | 6 | 7.0 | 4.0 | 55 | | |
| 9 | 9 | 10.5 | 6.5 | 70 | | |
| 12 | 12 | 14.0 | 10.0 | 75 | | |
| 19 | 19 | 20.5 | 15.7 | 90 | | |

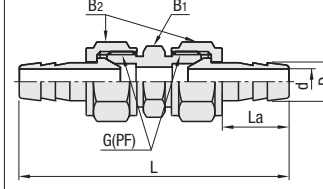
For orders larger than indicated quantity, please request a quotation.

Open-ended Hose Joint



RoHS

| Type | Material |
|-------|----------|
| HOSSH | Brass |



| Part Number | Applicable Hose Nominal Inner Dia. | D | d | B1 | B2 | G (PF) | La | L | € Unit Price | Volume Discount |
|-------------|------------------------------------|------|------|----|----|--------|----|-----|--------------|-----------------|
| 61 | 6 | 7 | 4 | 14 | 16 | 1/4 | 26 | 89 | | |
| 628 | | 8 | 4.5 | 14 | 16 | 1/4 | 26 | 89 | | |
| 629 | | 9 | 5 | 14 | 16 | 1/4 | 26 | 89 | | |
| 92 | 9 | 10.5 | 7 | 17 | 19 | 3/8 | 27 | 91 | | |
| 123 | 12 | 14 | 10 | 22 | 24 | 1/2 | 31 | 112 | | |
| 153 | 15 | 16 | 11.5 | 22 | 24 | 1/2 | 31 | 112 | | |
| 196 | 19 | 20.5 | 15 | 27 | 30 | 3/4 | 35 | 120 | | |

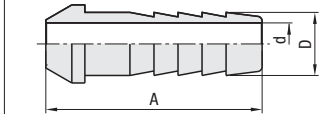
For orders larger than indicated quantity, please request a quotation.

Bamboo Shoot Joints



RoHS

| Type | Material |
|-------|----------|
| HOSHS | Brass |



| Part Number | Applicable Hose Nominal Inner Dia. | D | d | A | € Unit Price | Volume Discount |
|-------------|------------------------------------|------|------|----|--------------|-----------------|
| 628 | 6 | 8 | 4.5 | 34 | | |
| 629 | | 9 | 5 | 34 | | |
| 92 | 9 | 10.5 | 7 | 36 | | |
| 123 | 12 | 14 | 10 | 42 | | |
| 153 | 15 | 16 | 11.5 | 42 | | |
| 196 | 19 | 20.5 | 15 | 46 | | |

Joint applicable for HOSJN and HOSSH only.

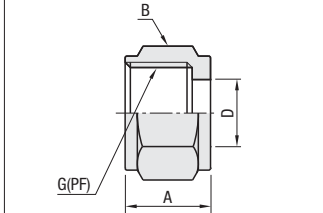
For orders larger than indicated quantity, please request a quotation.

Swaging Sleeve Nut for Hose



RoHS

| Type | Material |
|--------|----------|
| HOSHNS | Brass |



| Part Number | Body Applicable No. | G (PF) | D | B | A | Unit Price | Volume Discount |
|-------------|---------------------|--------|------|----|------|------------|-----------------|
| 2 | 62 63 628 629 | 1/4 | 9.5 | 16 | 13 | | |
| 3 | 92 93 94 | 3/8 | 11 | 19 | 14 | | |
| 4 | 123 124 126 153 154 | 1/2 | 16.5 | 24 | 16 | | |
| 6 | 194 196 | 3/4 | 21.5 | 30 | 17.5 | | |

Joint applicable for HOSJN and HOSSH only.

For orders larger than indicated quantity, please request a quotation.

Specifications

| | |
|-----------------------------|--------------------------------|
| Applicable Fluid | Water - Air - Oil |
| Operation Temperature Range | -50 ~ 150°C (Not to be frozen) |
| Normal Operating Pressure | 3.5MPa |



Order Example

Part Number
HOSN61
HOSJJS12



Days to Ship

6 Days P87



Order Example

Part Number
HOSSH92



Days to Ship

8 Days



Express A

2,00 EUR/ piece

P88

A Express Charge of 5,40 EUR for 3 or more identical pieces.



Fittings for Hoses

Elbow Nipples

RoHS

| Type | Material |
|-------|----------|
| HOSJE | Brass |

45° Elbow Nipples

RoHS

| Type | Material |
|-------|----------|
| HOSJH | Brass |

Blanch Tee

RoHS

| Type | Material |
|-------|----------|
| HOSJT | Brass |

Elbow Nipples

| Part Number | Type | No. | Applicable Hose Nominal Inner Dia. | T R (PT) | F G (PF) | D | (L1) | (L2) | € Unit Price Qty. 1~9 | Volume Discount Qty. 10~29 |
|------------------|------|-----|------------------------------------|----------|----------|------|------|------|-----------------------|----------------------------|
| HOSJE (Brass) | | 61 | 6 | 1/8 | 1/8 | 6.5 | 39 | 20 | | |
| | | 82 | 8 | 1/4 | 1/4 | 8 | 48.5 | 25 | | |
| | | 93 | 9 | 3/8 | 3/8 | 10.0 | 56 | 28 | | |
| | | 124 | 12 | 1/2 | 1/2 | 14.0 | 72 | 34 | | |

45° Elbow Nipples

| Part Number | Type | No. | Applicable Hose Nominal Inner Dia. | T R (PT) | F G (PF) | D | (L1) | (L2) | € Unit Price Qty. 1~9 | Volume Discount Qty. 10~29 |
|------------------|------|-----|------------------------------------|----------|----------|------|------|------|-----------------------|----------------------------|
| HOSJH (Brass) | | 61 | 6 | 1/8 | 1/8 | 6.5 | 39 | 20 | | |
| | | 82 | 8 | 1/4 | 1/4 | 8 | 48.5 | 25 | | |
| | | 93 | 9 | 3/8 | 3/8 | 10.0 | 56 | 28 | | |
| | | 124 | 12 | 1/2 | 1/2 | 14.0 | 72 | 34 | | |

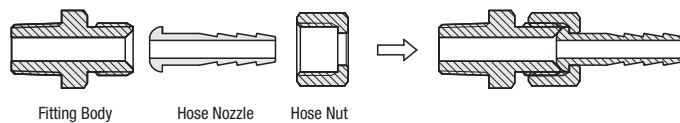
Blanch Tee

| Part Number | Type | No. | Applicable Hose Nominal Inner Dia. | T R (PT) | F G (PF) | D | (L1) | (L) | € Unit Price Qty. 1~9 | Volume Discount Qty. 10~29 |
|------------------|------|-----|------------------------------------|----------|----------|------|------|-----|-----------------------|----------------------------|
| HOSJT (Brass) | | 61 | 6 | 1/8 | 1/8 | 6.5 | 39 | 78 | | |
| | | 82 | 8 | 1/4 | 1/4 | 8 | 48.5 | 97 | | |
| | | 93 | 9 | 3/8 | 3/8 | 10.0 | 56 | 112 | | |
| | | 124 | 12 | 1/2 | 1/2 | 14.0 | 72 | 144 | | |

Order Example: **Part Number** HOSJE61 **Days to Ship** 8 Days **Express A** 2,00 EUR/piece **P88**

Ⓢ A Express Charge of 5,40 EUR for 3 or more identical pieces.

Assembly Procedure (HOSJE · HOSJH · HOSJT)



- Insert hose nozzle into hose nut.
- Position the R-plane (seat) of hose nozzle to inside the body.
- Hand tighten hose nut.
- Then secure with a wrench or a spanner.



Coiled Hoses / Air Hoses

Price Reduction
Up to 6%

Coil Hose

RoHS

Material: Polyurethane

| Part Number | Hose Extension Length (m) | Inner Diameter (mm) | Outer Diameter (mm) | A | B1 | B2 | Min. Bending Radius | Outer Diameter Precision | Mass (g) | € Unit Price | Volume Discount |
|-------------|---------------------------|---------------------|---------------------|----|-----|-----|---------------------|--------------------------|----------|--------------|-----------------|
| HOSPH | 8 | 800 | 5 | 8 | 180 | 100 | 500 | 14 | ±0.1 | 200 | |
| | | 1800 | 5 | 8 | 400 | 100 | 500 | | | 300 | |
| | | 3000 | 5 | 8 | 630 | 100 | 500 | | | 405 | |
| | 10 | 800 | 6.5 | 10 | 185 | 100 | 500 | 16 | ±0.1 | 285 | |
| | | 1800 | 6.5 | 10 | 400 | 100 | 500 | | | 425 | |
| | | 3700 | 6.5 | 10 | 800 | 100 | 500 | | | 690 | |

- ### Features
- Excellent in flexibility.
 - Excellent in mechanical strength, especially in abrasion resistance.
- ### Specifications
- Operation Temperature Range: -40 ~ 80°C
 - Maximum Operating Pressure: 1.1MPa
 - Applicable Fluid: Compressed Air

Order Example: **Part Number** HOSPH8 - **Hose Length** 3000

Days to Ship 8 Days

Express A 2,00 EUR/piece **P88**

Ⓢ A Express Charge of 5,40 EUR for 3 or more identical pieces.

Air Hoses -Standard Type-

RoHS

Material: Polyurethane

| Part Number | Type | Hose Nominal Inner Dia. | Hose Length (m) Selection | Hose Color | Inner Diameter (mm) | Outer Diameter (mm) | Thickness (mm) | Min. Bending Radius (mm) | Operating Pressure MPa | Operation Temperature Range | € Unit Price | Volume Discount |
|-------------|------|-------------------------|---------------------------|---------------------|---------------------|---------------------|----------------|--------------------------|------------------------|-----------------------------|--------------|-----------------|
| EHOS | 6 | 10 | 10 | Not Specified (Red) | 6.5 | 10 | 1.75 | 40 | 0~1.5 | -20~60°C | | |
| | | | 20 | | | | | | | | | |
| | 9 | 10 | BL (Blue) | 8.5 | 12.5 | 2 | 55 | 0~1.5 | | | | |
| | | 20 | | | | | | | | | | |

- ### Features
- Hose weight is very light.
 - Excellent in cold resistance and oil resistance.

Specifications

| | |
|-----------------------------|----------|
| Applicable Fluid | Air |
| Operation Temperature Range | -20~60°C |
| Normal Operating Pressure | 0~1.5MPa |

Air Hoses -Sliding Type-

RoHS

Material: Special Polyurethane

| Part Number | Type | Hose Nominal Inner Dia. | Hose Length (m) Selection | Hose Color | Inner Diameter (mm) | Outer Diameter (mm) | Thickness (mm) | Min. Bending Radius (mm) | Operating Pressure MPa | Operation Temperature Range | € Unit Price | Volume Discount |
|-------------|------|-------------------------|---------------------------|---------------------|---------------------|---------------------|----------------|--------------------------|------------------------|-----------------------------|--------------|-----------------|
| ERHOS | 6 | 10 | 10 | Not Specified (Red) | 6.3 | 10 | 1.85 | 40 | 0~1.5 | -20~60°C | | |
| | | | 20 | | | | | | | | | |
| | 9 | 10 | BL (Blue) | 8.3 | 12.5 | 2.1 | 40 | | | | | |
| | | 20 | | | | | | | | | | |

- ### Features
- Enhances sliding of hose and facilitates movement and operation.
 - Soft and flexible hose leads to less burden on wrist and arm.
 - Lithe hose causes less leaping and secures safety at foot.

Specifications

| | |
|-----------------------------|----------|
| Applicable Fluid | Air |
| Operation Temperature Range | -20~60°C |
| Normal Operating Pressure | 0~1.5MPa |

Air Hoses -High-Flex Type-

RoHS

Material: Polyvinyl Chloride

| Part Number | Type | Hose Nominal Inner Dia. | Hose Length (m) Selection | Inner Diameter (mm) | Outer Diameter (mm) | Thickness (mm) | Min. Bending Radius (mm) | Operating Pressure MPa | Operation Temperature Range | € Unit Price | Volume Discount |
|-------------|------|-------------------------|---------------------------|---------------------|---------------------|----------------|--------------------------|------------------------|-----------------------------|--------------|-----------------|
| AHOS | 6 | 10 | 10 | 6.5 | 13 | 3.25 | 30 | 0~1.0 | -5~60°C | | |
| | | | 20 | | | | | | | | |
| | 9 | 10 | 8 | 15 | 3.5 | 35 | | | | | |
| | | 20 | | | | | | | | | |

- ### Features
- Soft type easy to insert into metal fittings such as hose nipples.
 - Band tightening with high air tightness prevents leakage of air.
 - No sticking of oil. No swelling often seen in rubber hoses.

Specifications

| | |
|-----------------------------|----------|
| Applicable Fluid | Air |
| Operation Temperature Range | -5~60°C |
| Normal Operating Pressure | 0~1.0MPa |

Order Example: **Part Number** EHOS6 - **Hose Length** 10 - **Hose Color** BL **Days to Ship** 8 Days

Hose Bands

Price Reduction
Up to 70%



High Pressure Blower

CAD Data

CAD Data

Hose Bands -Standard Type- **RoHS** **HOSBS**

Material: 1.4301/X5CrNi18-10

Hose Bands -Spiral Type- **RoHS** **HOSSB**

Material: 1.4301/X5CrNi18-10

| Part Number | Tightening Range (mm) | L | E | T | Tightening Torque (Nm) | € Unit Price | Volume Discount |
|-------------|-----------------------|----------|----------|-----|------------------------|--------------|-----------------|
| Type | No. | Qty. 1-9 | Qty. 10- | | | | |
| 9N | 9-13 | 19 | 9.5 | 0.7 | 3.4 | | |
| 13N | 13-19 | | | | | | |
| 16N | 16-22 | | | | 4.2 | | |
| 19N | 19-25 | | | | | | |
| 22N | 22-29 | 24 | | | 5.1 | | |
| 25N | 25-35 | | | | | | |
| 28N | 28-41 | | | | | | |
| 31N | 31-48 | | | | 5.9 | | |
| 38N | 38-54 | | | | | | |
| 44N | 44-60 | | | | | | |
| 50N | 50-70 | 12 | | | 6.7 | | |
| 60N | 60-80 | | | | | | |
| 70N | 70-90 | | | | | | |
| 83N | 83-102 | | | | | | |
| 95N | 95-115 | 33 | | | 5.9 | | |
| 104N | 104-127 | | | | | | |
| 127N | 127-146 | | | | | | |
| 146N | 146-159 | | | | | | |
| 149N | 149-178 | | | | | | |
| 175N | 175-203 | | | | | | |
| 200N | 200-229 | | | | | | |

| Part Number | Hose Outer Dia. Tightening Range (m.m) | L | E | T | Tightening Torque (N-m) | € Unit Price | Volume Discount |
|-------------|--|----------|------------|---|-------------------------|--------------|-----------------|
| Type | No. | Qty. 1-9 | Qty. 10-29 | | | | |
| 30 | 30-37 | | | | | | |
| 32 | 32-42 | | | | | | |
| 47 | 47-57 | | | | | | |
| 58 | 58-68 | 30.5 | 15 | | 5 | | |
| 71 | 71-81 | | | | | | |
| 86 | 86-96 | | | | | | |
| 90 | 90-110 | | | | | | |

Hose Bands -Hand Tightening Type- **RoHS** **HOSBH**

Material: 1.0330/DC01
Surface Treatment: Trivalent Chromate

| Part Number | Hose Outer Dia. Tightening Range (mm) | L | E | T | € Unit Price | Volume Discount |
|-------------|---------------------------------------|----------|------------|-----|--------------|-----------------|
| Type | No. | Qty. 1-9 | Qty. 10-29 | | | |
| 15 | 15-22 | | | | | |
| 18 | 18-28 | | | | | |
| 20 | 20-34 | 32 | 12 | 0.5 | | |
| 25 | 25-40 | | | | | |
| 40 | 40-55 | | | | | |

Order Example **Part Number** **HOSBS13N**

Days to Ship **6 Days**

Express A 2,00 EUR/ piece **P88**

Order Example **Part Number** **HOSBSB · HOSBH**

Days to Ship **8 Days**

Express A 2,00 EUR/ piece **P88**

Order Example **Part Number** **HOABS25**

Days to Ship **8 Days**

Express A 2,00 EUR/ piece **P88**

Hose Bands -Safety Lock Type- **RoHS** **HOABS** (Cap Type)

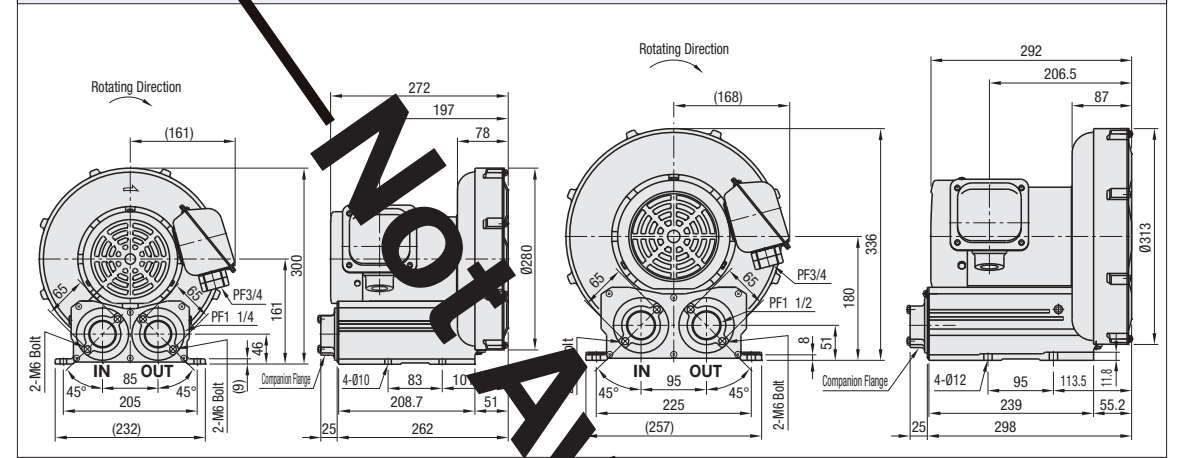
Material: Band, Housing: 1.4016/X6(8)Cr17 Bolt: Iron Cap: Polyethylene

| Part Number | Hose Outer Dia. Tightening Range (mm) | L | T | E | Tightening Torque (Nm) | € Unit Price | Volume Discount |
|-------------|---------------------------------------|----------|------------|----|------------------------|--------------|-----------------|
| Type | No. | Qty. 1-9 | Qty. 10-29 | | | | |
| 8 | 8-12 | | | | | | |
| 10 | 10-15 | | | | | | |
| 11 | 11-17 | 21 | 0.6 | 9 | 3.5 | | |
| 13 | 13-20 | | | | | | |
| 16 | 16-22 | | | | | | |
| 18 | 18-25 | | | | | | |
| 22 | 22-30 | | | | | | |
| 25 | 25-35 | | | | 5 | | |
| 27 | 27-40 | | | | | | |
| 30 | 30-45 | 30 | 0.8 | 12 | | | |
| 35 | 35-50 | | | | | | |
| 40 | 40-55 | | | | | | |
| 45 | 45-60 | | | | | | |
| 55 | 55-70 | | | | 6 | | |

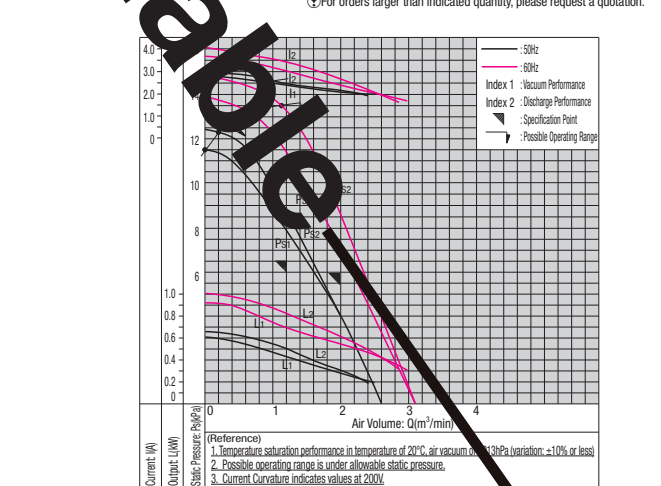
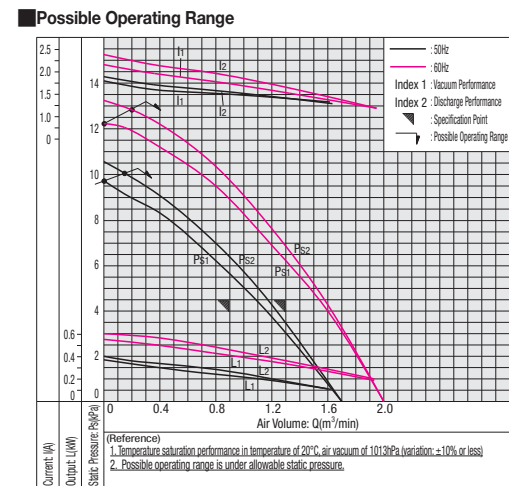
Order Example **Part Number** **HOABS25**

Days to Ship **8 Days**

Express A 2,00 EUR/ piece **P88**



| Part Number | Phases | Power supply voltage (V) | Frequency (Hz) | Suction Characteristics | | | Discharge Characteristics | | | Max Air Volume (m³/min) | Noise dB (A) | Starting Current (A) | Mass (Kg) | € Unit Price |
|-------------|-------------|--------------------------|----------------|-------------------------|-----------------------|-----------------------|---------------------------|-----------------------|-------------------|-------------------------|--------------|----------------------|------------|--------------|
| | | | | Rating Value | Max. Property | Max. Property | Max. Property | Max. Property | | | | | | |
| Type | Three-Phase | 200 | 50 | Air Volume (m³/min) | Static Pressure (kPa) | Static Pressure (kPa) | Output Power (kW) | Static Pressure (kPa) | Output Power (kW) | Current (A) | | | | 1 |
| | | | | 0.9 | 4.4 | 9.7 | 0.35 | 10.2 | 0.38 | 1.9 | 1.7 | 58 | 17.4(50Hz) | 17.5 |
| Type | Three-Phase | 200 | 60 | 1.3 | 4.4 | 12.3 | 0.53 | 12.3 | 0.56 | 2.3 | 2 | 62 | 16.7(60Hz) | |
| | | | | 1.2 | 6.5 | 11.5 | 0.63 | 12.3 | 0.67 | 3.1 | 2.6 | 63 | 22(50Hz) | 21.5 |
| Type | Three-Phase | 200 | 60 | 2 | 5.9 | 13.3 | 0.88 | 13.5 | 0.9 | 3.7 | 3.1 | 66 | 20(60Hz) | |



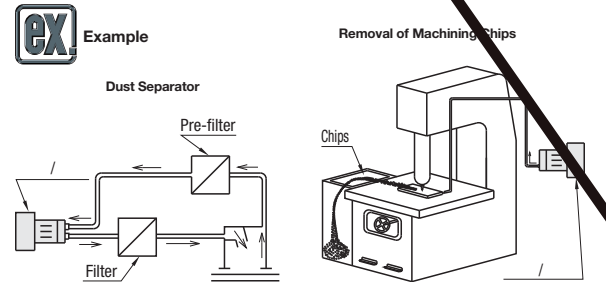
Order Example **Part Number** **HOABS25**

Days to Ship **8 Days**

Express A 2,00 EUR/ piece **P88**

Specifications

- Environment Temperature and Air Vacuum Temperature: -20~+40°C
- Reference Temperature: 90% or less
- Use only for vacuuming air. Do not use for vacuuming fluid, corrosive and explosive gases



Duct Hoses

-Overview-



Duct Hoses

-Lightweight Type / Swivel Type-

| Type | HOSEE/HOSEE | HOSKK | HOSSD/HOSSD | HOSH/D/HOSHD |
|-----------------------------|--|---|---|---|
| | Lightweight Type P.1194 | Swivel Type P.1194 | Flexible Type P.1195 | Friction Resistant, Antistatic Duct Hoses P.1195 |
| Type | | | | |
| Type | Blast and Exhaust | Spot Cooler | Blast and Exhaust | Powder and grains |
| Fluid - Application | - For blast and exhaust of air, wooden powder, dust, etc. | - For air (spot cooler - supply of air-conditioner) | - Blast and exhaust of warm air - Air Conditioning, Ventilation - Exhaust emission of equipments | - Carriage of particles, iron powder, paper trash, wood particles - Heat-resistant Hot Air Heaters |
| Material | Flexible or Hard PVC | PP | Polypropylene Reinforcement: Hard Steel Wire | Polypropylene Reinforcement: Synthetic Rubber (EPDM) |
| Operation Temperature Range | -10 ~ 50°C | - | -20 ~ 80°C | -30 ~ 80°C |
| Allowable Pressure Range | Below ambient temperature, Above ambient temperature 0-0.06MPa 0-0.03MPa | 0-0.001MPa 0-0.0005MPa | 0-0.002MPa 0-0.002MPa | 0-0.03MPa 0-0.01MPa |
| Features | - Being excellent in flexibility and lightweight property, it improves operating efficiency. - Easy to cut and mount. | - Capable of being bent or flexed as desired and keeping its bent state. - Diameter can be varied by twisting the opening. - Can be cut with a utility knife. | - Highly flexible and can be fixed at desired angles and positions. - It can be shortened to 1/3-1/4 of the original length. | - Resistant to cold, heat and abrasion. - Excels in antistatic property. - Reduces generation of ozone crack (deformity). |

| Type | HOSEDY/HOSDY | HOSCD/HOSCD | HOSCE/HOSCE |
|-----------------------------|--|---|---|
| | Oil-proof Type P.1196 | Translucent Type P.1196 | Antistatic Translucent Type P.1196 |
| Type | | | |
| Type | Suction and Exhaust | Blast and Exhaust | Blast and Exhaust |
| Fluid - Application | - Suction of exhaust emission of oil mist - Collection of oil mist such as lathes and milling machines | - Blast and exhaust of systems & equipments - Blast and exhaust emission of food processing evaporator systems - Blast and exhaust emission in environments where dust must be avoided. - Clean room air supply and exhausts | - Blast and exhaust of systems & equipments - Blast and exhaust emission of food processing evaporator systems - Blast and exhaust emission in environments where dust must be avoided. - Clean room air supply and exhausts |
| Material | Oil Resistance Hard, Flexible PVC | Polypropylene Olefin Type Elastomer | Polypropylene Olefin Type Elastomer |
| Operation Temperature Range | -10 ~ 50°C | -20 ~ 50°C | -20 ~ 50°C |
| Allowable Pressure Range | Below ambient temperature, Above ambient temperature 0-0.04MPa 0-0.02MPa | 0-0.04MPa 0-0.02MPa | 0-0.04MPa 0-0.02MPa |
| Features | - Excellent in oil resistance. - Lightweight and Excellent in heat resistance. - High efficiency due to low inferior resistance contributes to energy savings. | - Being very excellent in lightweight property, flexibility and bend performance, it improves operating efficiency. - The hose is semi-transparent so transported materials can be observed. Compliant to Health, Labor and Welfare Ministry Notification No.201 Food Sanitation Laws. | - Not only it is semi-transparent, it features antistatic effect. - Compliant to Health, Labor and Welfare Ministry Notification No.201 Food Sanitation Laws. |

| Type | HOAD | HOCTD | HOTD |
|-----------------------------|---|---|---|
| | Aluminum Type P.1198 | Low Particulate Generation Type P.1198 | Heat-resistant Free Alignment Type P.1198 |
| Type | | | |
| Type | Air Conditioning, Ventilation | Air Conditioning, Ventilation | Air Conditioning, Ventilation |
| Fluid - Application | - Exhaust Duct for Ventilation Fan | - For air supply and exhausts such as clean rooms where low particulate generation is required. Pumping and exhausting of hot air. - Intake and exhaust for warm air generators. | - Hot air generator - circulator unit, spark collection ducts for grinders and welders. |
| Material | Aluminum Foil (Laminated) Reinforcement: Hard Steel Wire | Aluminum Polyester Cloth Reinforcement Core: Zinc Plating Steel Plate | Special Coating Glass Reinforcement Core: 1.4301/X5CrNi18-10 |
| Operation Temperature Range | -20 ~ 80°C | -130°C | -250°C |
| Allowable Pressure Range | 0-0.02MPa 0-0.02MPa | 0-0.007MPa 0-0.007MPa | 0-0.007MPa 0-0.007MPa |
| Features | - Being superior in flexibility and bending property, it can be laid in a narrow space. - It can be shortened to 1/5 of the original length. | - Special laminated film is adopted to reduce generation of dust caused by friction on the surface. - Flexible and easy to store and transport. | - Highly flexible. - Highly elastic and flame resistant. |

| Type | HOTDH | HOTDK |
|-----------------------------|--|---|
| | Heat-resistant Fixed Alignment Type P.1199 | High Heat-resistant Alignment Type P.1199 |
| Type | | |
| Type | Air Conditioning, Ventilation | Air Conditioning, Ventilation |
| Fluid - Application | - Hot air, acid and alkali containing gases (normal temperature) | - Supply and exhaust of hot air, air-conditioning and ventilation |
| Material | 1.4301/X5CrNi18-10 Reinforcement Core: 1.4301/X5CrNi18-10 | 1.4301/X5CrNi18-10 Reinforcement Core: 1.4301/X5CrNi18-10 |
| Operation Temperature Range | 30 ~ 450°C | -600°C |
| Allowable Pressure Range | 0-0.007MPa 0-0.007MPa | 0-0.027MPa 0-0.027MPa |
| Features | - Excellent in heat resistance. - Corrosion resistive material that endures gases containing acid, alkali and solvents. - Though designed for fixed plumbing, it can form curved portions. | - Excellent in flame and heat resistance. |

Lightweight Type

HOSEE
(Hose Body Only)

HOSEEK
(One End Cuff)

HOSEER
(Both Ends Cuff)

RoHS

Construction Diagram

Material: Hose Body : Flexible or Hard PVC
Cuff : Flexible PVC

| Part Number | Type | Nominal | Hose Length 0.1m Increment | D | Hose Inner Dia. (Reference) (mm) | P | d | d1 | d2 | E1 | E2 | Allowable Bending Radius (mm) | Reference Mass (kg/m) | € Unit Price | | |
|----------------------------|------|----------|----------------------------------|-------|--|-------|-------|-------|-----|----|-----|-------------------------------------|-----------------------------|------------------------------------|---|---|
| | | | | | | | | | | | | | | HOSEE € Unit Price of Hose/m | HOSEEK One End Cuff (+€ Unit Price of Hose) | HOSEER Both Ends Cuff (+€ Unit Price of Hose) |
| HOSEE (Hose Body) | 38 | 0.5-50.0 | 44.5 | 37.3 | 7.9 | 48 | 43 | 38 | 80 | 35 | 38 | 0.365 | | | | |
| | 50 | | 59.8 | 50.8 | 11 | 65.5 | 56.3 | 50.8 | 82 | 35 | 50 | 0.555 | | | | |
| | 65 | | 73.2 | 64 | 11.1 | 78.5 | 69 | 63 | 86 | 33 | 65 | 0.7 | | | | |
| HOSEEK (One End Cuff) | 75 | 0.5-30.0 | 85.9 | 76.5 | 11.7 | 92.5 | 83.2 | 76.2 | 94 | 37 | 75 | 0.83 | | | | |
| | 90 | | 100 | 90 | 12 | 106.5 | 96.9 | 89.2 | 99 | 40 | 90 | 0.99 | | | | |
| HOSEER (Both Ends Cuff) | 100 | | 113 | 103 | 12 | 119.8 | 109.6 | 101.6 | 110 | 42 | 100 | 1.215 | | | | |
| | 125 | 0.5-20.0 | 137.3 | 127.3 | 12.1 | 146.3 | 135 | 128 | 142 | 50 | 125 | 1.46 | | | | |
| | 150 | | 162 | 151.4 | 13.5 | 173.3 | 160 | 152 | 160 | 70 | 150 | 1.85 | | | | |

Specifications

| | |
|---|--|
| Usage | For air supply and exhaust (Air) |
| Operating Temp. Range (°C) | -10-50 |
| Allowable Pressure Range (MPa (kgf/cm ²)) | Below ambient temperature: 0-0.06 Above ambient temperature: 0-0.03 |

Features:
Being excellent in flexibility and lightweight, it improves operating efficiency.
Easy to cut and mount.

Swivel Type

HOSKK
(Hose Body Only)

RoHS

Construction Diagram

Material: Hose Body: Flexible PVC

| Part Number | Type | Nominal | Hose Length 0.1m Increment | D | Hose Inner Dia. (Reference) (mm) | P (contracted state) | Allowable Bending Radius (mm) | Reference Mass (kg/m) | € Unit Price | |
|----------------------|------|----------|----------------------------------|-----|--|-------------------------|-------------------------------------|-----------------------------|------------------------|------------------------|
| | | | | | | | | | € Unit Price of Hose/m | € Unit Price of Hose/m |
| HOSKK (Hose Body) | 75 | 0.5-10.0 | 82.2 | 75 | 7.5 | 175 | 0.755 | | | |
| | 90 | | 97.2 | 90 | 7.5 | 210 | 0.918 | | | |
| | 100 | | 107.2 | 100 | 7.5 | 230 | 1.02 | | | |

Specifications

| | |
|---|---|
| Usage | For blast and exhaust - spot cooler |
| Allowable Pressure Range (MPa (kgf/cm ²)) | Below ambient temperature: 0-0.001 Above ambient temperature: 0-0.0005 |

Features:
Capable of being bent as desired and keeping its bent state.
Diameter can be varied by twisting the opening.

Order Example

Part Number - Hose Length
HOSEE50 - 3.2

8 Days Express A 3.00 EUR/ piece P88
*A Express Charge of 8,10 EUR for 3 or more identical pieces.

Volume Discount (Round down to one Cent) P87
Quantity 1-9 10-19 20-49
Rate € Unit Price 5% 10%

*Volume discount rate is applicable to the unit price/m for hose only.
*For orders larger than indicated quantity, please request a quotation.

<Price Calculation Example> For HOSEEK50-4.3
€ Unit Price of Hose/m 22.00 EUR HOSEK Cuff Charge 4.10
22.00 (Unit Price of Hose)x4.3 (Hose Length)+4.10 (HOSEK Cuff Charge)=98.70 EUR
By rounding it down to the nearest ten Cent, it is 98.70 EUR

Duct Hoses

-Flexible Type / Friction Resistant Antistatic Type-

CAD Data



Duct Hoses /Cuff for Duct Hoses

-Oil Resistance Type / Non-PVC Type-

CAD Data

Flexible Type

HOSSD
(Hose Body Only)

HOSSDK
(One End Cuff)

HOSSDR
(Both Ends Cuff)

RoHS

Construction Diagram

Material: Hose Body: Polypropylene – Hard Steel Wire
Cuff: EPDM (Light Gray)

| Part Number | Type | Nominal | Hose Length 0.1m Increment | D | Hose Inner Dia. (Reference) (mm) | P | d | d1 | d2 | E1 | E2 | Allowable Bending Radius (mm) | Reference Mass (kg/m) | € Unit Price | | |
|-------------|-------------------------|---------|---------------------------------------|-------|----------------------------------|-------|-------|-------|-------|----|-----|-------------------------------|-----------------------|------------------------------|--------------------------------|--------------------------------|
| | | | | | | | | | | | | | | HOSSD € Unit Price of Hose/m | HOSSDK (+€ Unit Price of Hose) | HOSSDR (+€ Unit Price of Hose) |
| 38 | HOSSD (Hose Body) | 38 | 0.5-5.0 Length with hose extended. | 42.0 | 35.0 | 10.5 | 47.7 | 44.0 | 38.0 | 70 | 35 | 30 | 0.15 | | | |
| 50 | HOSSD (Hose Body) | 50 | | 58.0 | 50.0 | 12.3 | 64.0 | 56.8 | 50.8 | 70 | 35 | 40 | 0.2 | | | |
| 65 | HOSSDK (One End Cuff) | 65 | | 72.0 | 63.0 | 14.0 | 78.0 | 69.5 | 63.5 | 76 | 35 | 55 | 0.255 | | | |
| 75 | HOSSDK (One End Cuff) | 75 | | 81.0 | 71.0 | 15.7 | 88.0 | 82.5 | 76.5 | 85 | 40 | 60 | 0.28 | | | |
| 90 | HOSSDR (Both Ends Cuff) | 90 | | 94.0 | 83.0 | 15.7 | 100.0 | 95.9 | 88.9 | 95 | 45 | 70 | 0.33 | | | |
| 100 | HOSSDR (Both Ends Cuff) | 100 | | 108.0 | 97.0 | 17.0 | 115.5 | 108.6 | 101.6 | 95 | 45 | 80 | 0.4 | | | |
| 125 | | 125 | 135.0 | 123.0 | 18.5 | 140.5 | 134.0 | 127.0 | 95 | 45 | 100 | 0.58 | | | | |
| 150 | | 150 | 158.0 | 145.0 | 22.5 | 166.0 | 160.4 | 152.4 | 113 | 50 | 120 | 0.725 | | | | |

*Hose length refers to the length when the hose is stretched without tensile load.

| Usage | | For air supply and exhaust (Air) |
|--|--|----------------------------------|
| Operating Temp. Range (°C) | | -20~80 |
| Allowable Pressure Range (MPa(kgf/cm ²)) | | 0~0.002(0~0.02) |

Features: Elastic, and can be fixed at any angle or in any direction. It can be shortened to 1/3~1/4 of its original length. *The allowable pressure is the maximum design pressure. Above range is for Hose Body only. Use data as reference.

Friction Resistant, Antistatic Duct Hoses

HOSH D
(Hose Body Only)

HOSHDK
(One End Cuff)

HOSHDR
(Both Ends Cuff)

RoHS

Construction Diagram

Material: Hose Body: Polypropylene - Conductive EPDM
Cuff: EPDM (Black)

| Part Number | Type | Nominal | Hose Length 0.1m Increment | D | Hose Inner Dia. (Reference) (mm) | P | d | d1 | d2 | E1 | E2 | Allowable Bending Radius (mm) | Reference Mass (kg/m) | € Unit Price | | |
|-------------|-------------------------|---------|----------------------------|-------|----------------------------------|-------|-------|-------|-------|-----|-----|-------------------------------|-----------------------|-------------------------------|--------------------------------|--------------------------------|
| | | | | | | | | | | | | | | HOSH D € Unit Price of Hose/m | HOSHDK (+€ Unit Price of Hose) | HOSHDR (+€ Unit Price of Hose) |
| 38 | HOSH D (Hose Body) | 38 | 0.5-30.0 | 46.8 | 38.0 | 9.5 | 52.0 | 43.0 | 38.0 | 75 | 30 | 45 | 0.34 | | | |
| 50 | HOSH D (Hose Body) | 50 | | 61.2 | 50.6 | 10.0 | 66.3 | 56.0 | 51.0 | 81 | 23 | 55 | 0.555 | | | |
| 65 | HOSHDK (One End Cuff) | 65 | | 73.0 | 62.4 | 12.0 | 78.1 | 69.0 | 63.0 | 87 | 31 | 65 | 0.61 | | | |
| 75 | HOSHDK (One End Cuff) | 75 | | 87.2 | 76.4 | 13.0 | 92.5 | 84.0 | 77.0 | 98 | 38 | 75 | 0.73 | | | |
| 90 | HOSHDR (Both Ends Cuff) | 90 | | 100.3 | 88.9 | 13.5 | 105.8 | 97.0 | 89.0 | 107 | 46 | 90 | 0.9 | | | |
| 100 | HOSHDR (Both Ends Cuff) | 100 | | 113.0 | 101.6 | 15.0 | 118.3 | 110.0 | 102.0 | 111 | 43 | 100 | 0.945 | | | |
| 125 | | 125 | 139.7 | 125.9 | 21.5 | 144.8 | 134.0 | 126.0 | 146 | 52 | 125 | 1.335 | | | | |
| 150 | | 150 | 166.2 | 152.4 | 20.0 | 172.3 | 161.0 | 153.0 | 162 | 78 | 150 | 1.58 | | | | |

| Usage | | Transfer of powder, grains, iron power, paper scraps, wooden powder, etc. For heat resistant air blowers. |
|---|--|---|
| Operating Temp. Range (°C) | | -30~80 |
| Allowable Pressure Range (MPa (kgf/cm ²)) | | Below ambient temperature: 0~0.03(0~0.3) Above ambient temperature: 0~0.01(0~0.1) |
| Allowable Decompression (kPa(mmHg)) | | -13.0~-40.0 (-98~-300) (Ambient Temperature) |

Features: Excels in cold, heat and friction resistance. Excellent antistatic effect. (Volume Resistivity/10⁵Ω-cm or less) The allowable pressure is the maximum design pressure. The allowable reduction pressure is the maximum negative pressure that can be applied to the hose under normal temperature. Above range is for Hose Body only. Use data as reference.

Order Example

Part Number - Hose Length
HOSSDR50 - 3.2

Days to Ship

8 Days

Express A 3.00 EUR/piece P88
*A Express Charge of 8,10 EUR for 3 or more identical pieces.

Price

Volume Discount (Round down to one Cent.) P87

| Quantity | 1-9 | 10-19 | 20-49 |
|----------|--------------|-------|-------|
| Rate | € Unit Price | 5% | 10% |

*For orders larger than indicated quantity, please request a quotation.

Volume discount rate is applicable to the unit price/m for hose only.

*Price Calculation Example> For HOSSDK65-4.3
€ Unit Price of Hose/m 66.50 EUR HOSSDK Cuff Charge 18.00 EUR
66.50 (Unit price of Hose) x4.3 (Hose Length) +18.00 (HOSSDK Cuff Charge) =303,95 EUR
By rounding it down to the nearest ten Cent, it is 303,90 EUR

Oil-resistance type

HOSDY
(Hose Body Only)

RoHS

Construction Diagram

Material: Hose Body: Oil resistance hard, flexible PVC

| Part Number | Type | Nominal | Hose Length 0.1m Increment | D | Hose Inner Dia. (Reference) (mm) | p | Allowable Bending Radius (mm) | Reference Mass (kg/m) | € Unit Price | |
|-------------|-------------------|---------|----------------------------|-------|----------------------------------|-----|-------------------------------|-----------------------|------------------------------|------------------------|
| | | | | | | | | | HOSDY € Unit Price of Hose/m | € Unit Price of Hose/m |
| 75 | HOSDY (Hose Body) | 75 | 0.5-30.0 | 86.4 | 76.4 | 13 | 75 | 0.785 | | |
| 100 | HOSDY (Hose Body) | 100 | | 112.2 | 101.6 | 15 | 100 | 1.03 | | |
| 125 | HOSDY (Hose Body) | 125 | | 138.7 | 125.9 | 21 | 125 | 1.355 | | |
| 150 | HOSDY (Hose Body) | 150 | 164.8 | 152.4 | 20 | 150 | 1.68 | | | |

Oil-resistance Type

RoHS

Construction Diagram

Material: Hose Body: Polypropylene, Olefin Type Elastomer (for HOSCE, Special Anti-electrostatic Elastomer)
Cuff: Olefin Type Elastomer

| Part Number | Type | Nominal Diameter | Hose Length 0.1m Increment | D | Hose Inner Dia. (Reference) (mm) | P | d | d1 | d2 | E1 | E2 | Allowable Bending Radius (mm) | Reference Mass (kg/m) | Allowable Pressure (Ambient Temp.) MPa (kgf/cm ²) | Allowable Decompression (Ambient Temp.) kPa(mmHg) | € Unit Price HOSCD | | € Unit Price HOSCE | |
|-------------|------------------------------|------------------|----------------------------|-------|----------------------------------|------|-------|-------|-------|-----|----|-------------------------------|-----------------------|---|---|---------------------|--------------------------------------|--|---------------------|
| | | | | | | | | | | | | | | | | Hose € Unit Price/m | One End Cuff (+€ Unit Price of Hose) | Both Ends Cuff (+€ Unit Price of Hose) | Hose € Unit Price/m |
| 38 | Translucent Duct Hoses | 38 | 0.5-30.0 | 45.0 | 38.0 | 7.8 | 48.0 | 43.0 | 38.0 | 80 | 35 | 50 | 0.22 | 0.04(0.4) | -50.7(-380) | | | | |
| 50 | Antistatic Translucent Hoses | 50 | | 59.0 | 50.8 | 10.0 | 65.5 | 56.0 | 50.8 | 82 | 35 | 60 | 0.33 | 0.03(0.3) | -33.0(-248) | | | | |
| 75 | HOSE | 75 | | 85.0 | 76.2 | 13.0 | 92.5 | 83.2 | 76.2 | 94 | 37 | 90 | 0.47 | | -17.5(-131) | | | | |
| 100 | HOSE | 100 | | 111.5 | 101.6 | 15.0 | 120.3 | 108.6 | 101.6 | 100 | 42 | 110 | 0.64 | | | | | | |
| 125 | HOSE | 125 | | 138.5 | 127.0 | 21.0 | 143.5 | 134.0 | 126.0 | 119 | 49 | 135 | 0.81 | | | | | | |
| 150 | HOSE | 150 | | 164.0 | 152.4 | 20.0 | 171.0 | 160.0 | 152.0 | 160 | 65 | 160 | 1.06 | | | | | | |

Specifications

| Type | HOSDY | HOSCD / HOSCE |
|---|---|-----------------------------|
| Usage | Suction and exhaust emission of oil mist | For Blast and exhaust (Air) |
| Operating Temp. Range (°C) | -10~50 | -20~50 |
| Allowable Pressure Range (MPa (kgf/cm ²)) | Below ambient temperature: 0~0.04 Above ambient temperature: :0~0.02 | |

Price

Volume Discount (Round down to one Cent.) P87

| Quantity | 1-9 | 10-19 | 20-49 |
|----------|--------------|-------|-------|
| Rate | € Unit Price | 5% | 10% |

*For orders larger than indicated quantity, please request a quotation.

*Price Calculation Example> For HOSCDK50-4.3
€ Unit Price of Hose/m 79.20 EUR HOSEK Cuff Charge 26.50 EUR
79.20 (Unit price of Hose) x4.3 (Hose Length) +26.50 (HOSCDK Cuff Charge) =367.06 EUR
By rounding it down to the nearest ten Cent, it is 367.00 EUR

Order Example

Part Number - Hose Length
HOSDY100 - 5.5
HOSCD50 - 3.2

Days to Ship

8 Days

Express A 3.00 EUR/piece P88
*A Express Charge of 8,10 EUR for 3 or more identical pieces.

Cuff for Duct Hoses

RoHS

Applicable Hoses

| Type | Applicable Hoses |
|-------|---|
| DHED | Lightweight Type |
| DHS D | Flexible Type |
| DHHD | Friction Resistant, Antistatic Duct Hoses |
| DHTD | Translucent Type |

| Part Number | Type | Nominal | DHED | | | | DHS D | | | | DHHD | | | | DHTD | | | | | | | |
|-------------|------|---------|-------|-------|-------|-----|-------|-------|-------|-------|------|----|-------|-----|------|-----|----|-------|-------|-------|-----|----|
| | | | d | d1 | d2 | E1 | E2 | d | d1 | d2 | E1 | E2 | d | d1 | d2 | E1 | E2 | | | | | |
| 38 | DHED | 38 | 48 | 43 | 38 | 80 | 35 | 47.7 | 44 | 38 | 70 | 35 | 52 | 43 | 38 | 75 | 30 | 48 | 43 | 38 | 80 | 35 |
| 50 | DHED | 50 | 65.5 | 56.3 | 50.8 | 82 | 35 | 64 | 56.8 | 50.8 | 70 | 35 | 66.3 | 56 | 51 | 81 | 23 | 65.5 | 56 | 50.8 | 80 | 35 |
| 65 | DHED | 65 | 78.5 | 69 | 63 | 86 | 33 | 78 | 69.5 | 63.5 | 76 | 35 | 78.1 | 69 | 63 | 87 | 31 | - | - | - | - | - |
| 75 | DHED | 75 | 92.5 | 83.2 | 76.2 | 94 | 37 | 88 | 82.5 | 76.5 | 85 | 40 | 92.5 | 84 | 77 | 98 | 38 | 92.5 | 83.2 | 76.2 | 94 | 37 |
| 90 | DHED | 90 | 106.5 | 96.9 | 89.2 | 99 | 40 | 100 | 95.9 | 89.9 | 95 | 45 | 105.8 | 97 | 89 | 107 | 46 | - | - | - | - | - |
| 100 | DHED | 100 | 119.8 | 109.6 | 101.6 | 110 | 42 | 115.5 | 108.6 | 101.6 | 95 | 45 | 118.3 | 110 | 102 | 111 | 43 | 120.3 | 108.6 | 101.6 | 100 | 42 |
| 125 | DHED | 125 | 146.3 | 135 | 128 | 142 | 50 | 140.5 | 134 | 127 | 95 | 45 | 144.8 | 134 | 126 | 146 | 52 | 143.5 | 134 | 126 | 119 | 49 |
| 150 | DHED | 150 | 173.3 | 160 | 152 | 160 | 70 | 166 | 160.4 | 152.4 | 113 | 50 | 172.3 | 161 | 153 | 162 | 78 | 171 | 160 | 152 | 160 | 65 |